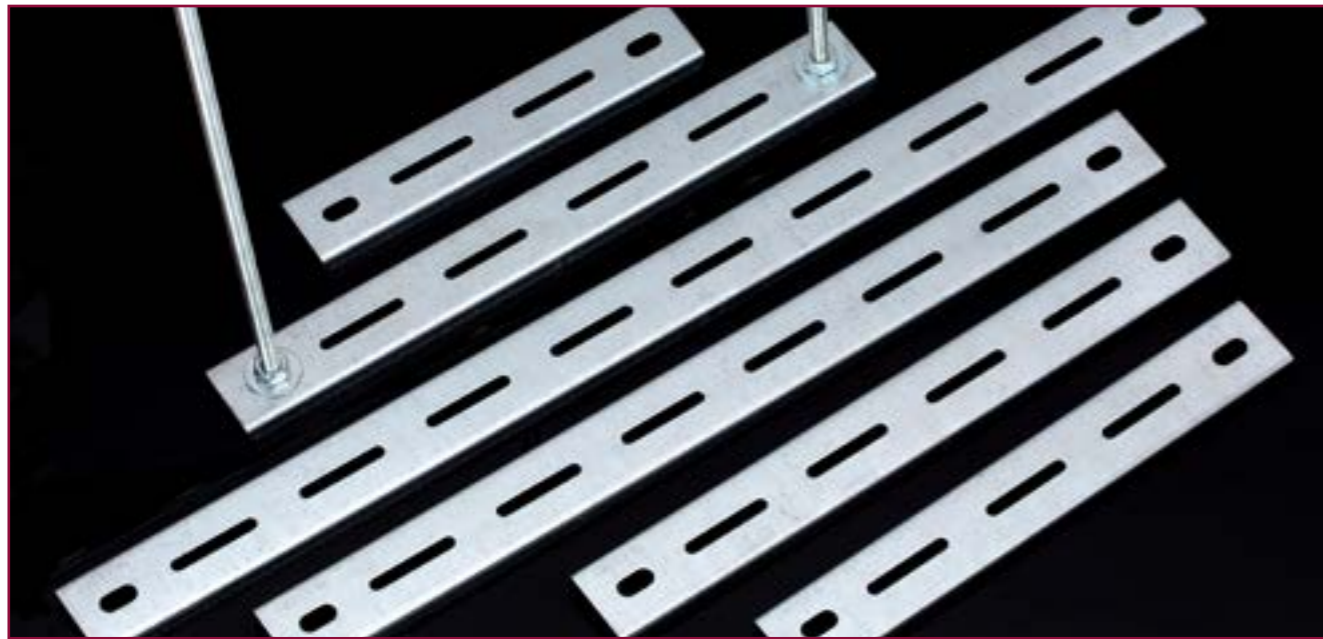


Haley Products Ltd

Cable Tray & Cable Basket Support Bracket Manufacturers

■ SUPPORT SOLUTIONS ■
MADE WITH THE ELECTRICIAN IN MIND

Catalogue Issued : 1st February 2024



Made in Britain



Tel : 0044 (0)1782 822602

Fax :0044 (0)1782 825856

website : www.haleyproducts.co.uk

Navigation Road, Burslem, Stoke on Trent, Staffs, ST6 3RU

	Strut Back Plates.....page 29
--	---

Cable Tray & Cable Basket Support Bracket Manufacturers



Who we are

Haley Products Ltd is a family run business, established in 1986, specialising in designing, manufacturing (in Britain) and supplying cable management support brackets in the U.K.

Our wide range of brackets, many with unique time saving features, have been designed to simplify installation. Whether fixing to walls, ceilings, under raised floors or suspending on threaded rod from ceilings or RSJ's, we have the bracket for the electrician.

MANUFACTURING

All Haley brackets are manufactured in the U.K. and distributed from our premises in North Staffordshire.

DELIVERY & SERVICE

We deliver nationally using next day carriers and locally, using our own transport. Orders received before 1pm are dispatched the same day (subject to stock).

OUR PRODUCT RANGE

- Stand-off Brackets (HFX)
- Stand-off Brackets (Power Fixing PFX)
- Suspension Brackets
- Ceiling Support Brackets
- Angled Wall Brackets (perpendicular)
- Cable Basket Centre Support Brackets
- Under Floor Support Brackets
- and much more....



E&EO. If you find any discrepancies or errors in this catalogue, please point them out to us

Tel : 0044 (0)1782 822602

Fax :0044 (0)1782 825856

website : www.haleyproducts.co.uk

Navigation Road, Burslem, Stoke on Trent, Staffs, ST6 3RU

Hand Fix Brackets - HFX



The HFX is a British made bracket with unique advantages for the electrician.

Complete with pre-inserted friction spring clips and M6x16 case hardened tray bolts. No need for back nuts.

The friction spring clips can be easily repositioned by hand or using combination pliers along the length of the slots. Clips will remain in position even when fixed in the vertical position.

The clip thread has a lead-in to allow for easier insertion.

Tray bolts have a No.2 pozi recess and have a mushroom head that allowing for easier installation by using a pozi screwdriver or a Cordless Driver on a low torque setting.

With a 25mm stand-off there is easy access to back of tray.

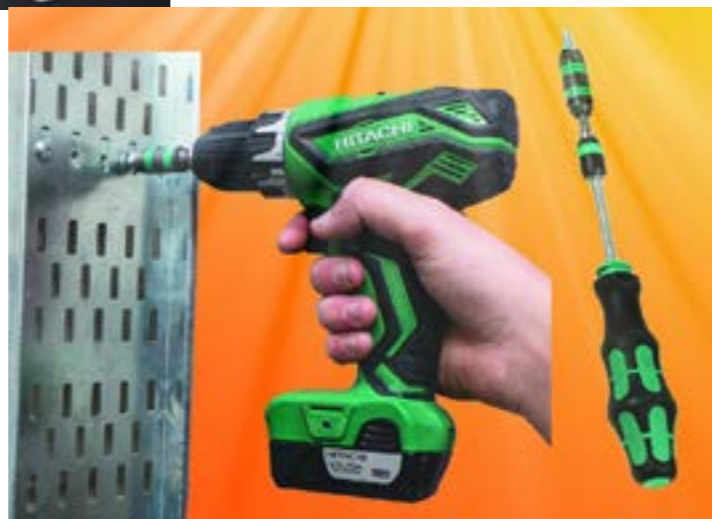
Sizes to suit up to 450mm tray available.



Packaging and New Box Quantities

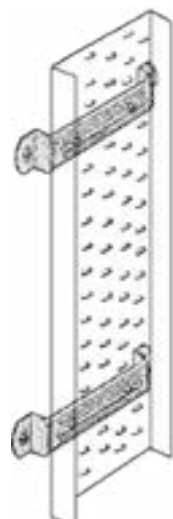
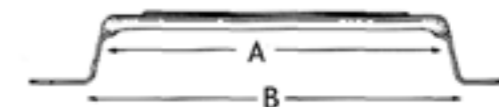


Convenient boxes of 10



With pre-installed M6 spring clips in each of our brackets there is no longer a need to hold a clumsy back nut.

Also, with No.2 pozi case hardened Tray Bolts, the slotted screwdriver has now become a thing of the past. Also, by using a screwdriver bit and magnetic Bit Holder. The Tray Bolt is case hardened the range of tools that can be used is extensive, ranging from the No.2 pozi screwdriver to the Rapadaptor used with a No.2 bi-torsion hexagon bit to even a pump screwdriver. A cordless drill can used with a low torque setting.



HFX Brackets (with friction clip & Tray Bolts)

Size (Up To)	No of Slots	No of Clips	Material Thickness	Finish	Dim A	Dim B	Width	Height	Box Qty	Outer Qty	Prod. Code
2"(50mm)	1	1	1.2mm	Zinc Plated	45	55	38	25	10	300	CTB0
3"(75mm)	1	1	1.2mm	Zinc Plated	68	76	38	25	10	300	CTB1
4"(100mm)	1	2	1.2mm	Zinc Plated	90	98	38	25	10	240	CTB1A
6"(150mm)	1	2	1.2mm	Zinc Plated	137	147	38	25	10	200	CTB2
9"(225mm)	2	4	1.2mm	Zinc Plated	225	238	38	25	10	120	CTB3
12"(300mm)	2	4	1.2mm	Zinc Plated	298	311	38	25	10	120	CTB4
18"(450mm)	3	4	1.6mm	Zinc Plated	450	475	38	25	10	50	CTB5

Minimum quantity supplied is one box.

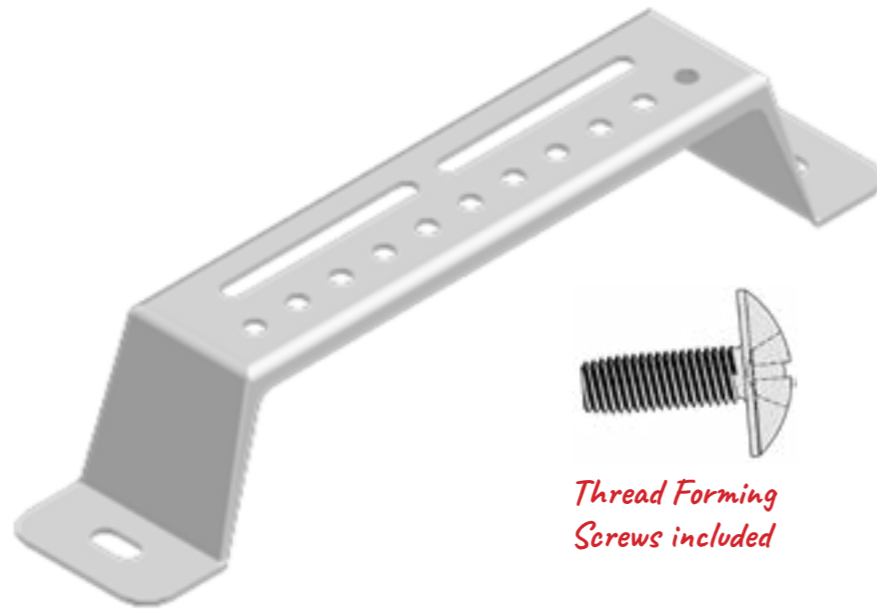
Tel : 0044 (0)1782 822602

Fax :0044 (0)1782 825856

website : www.haleyproducts.co.uk

Navigation Road, Burslem, Stoke on Trent, Staffs, ST6 3RU

42mm Quick Fix Brackets - PFX



Thread Forming Screws included

The PFX is a superior British made bracket that has unique advantages for the electrician.

The Haley PFX is a different method of fixing cable tray to stand-off brackets. It takes away the need for any type of back nuts and the necessity of aligning them before installation.

It is achieved by the use of a specially designed M6x12 Thread Forming Screw with a 14mm ø mushroom head a No.2 pozi recess and pre-punched holes in the bracket.

Most major cable tray manufacturers punch out fixing slots at 25mm centres and approx 8mm width. Haley PFX brackets come with pre-punched holes at 12.5mm centres so alignment to the slot is guaranteed every time.

Slots are provided for the traditional fixing method.

With every bracket there are enough screws supplied to fix the size of tray being used.

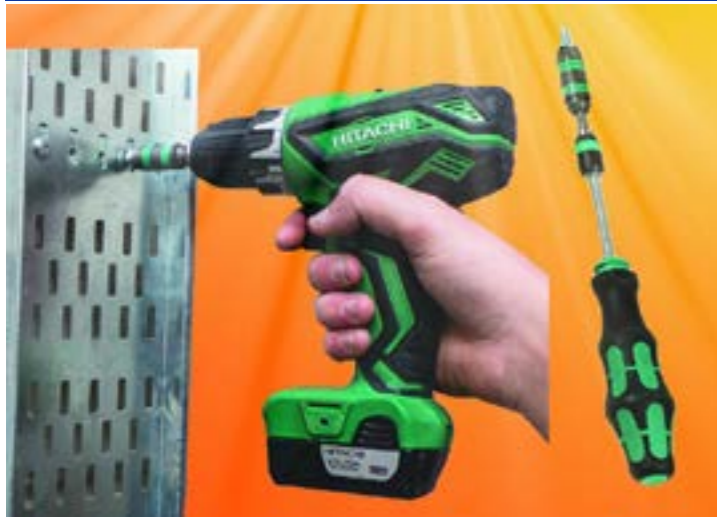
The 42mm stand-off is designed to work along side strut.

The PFX stand-off bracket is designed for use with a battery powered combi drill. The No.2 pozi recess, which is the industry standard, allows for easier and faster installation. The screw can also be inserted using a No.2 pozi screwdriver.

We manufacture 2 sizes : 75 & 150mm.

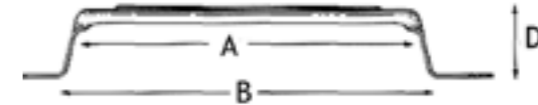


Power Tool fixing



With pre-installed M6 spring clips in each of our brackets there is no longer a need to hold a clumsy back nut.

Also, with No.2 pozi case hardened Tray Bolts, the slotted screwdriver has now become a thing of the past. Also, by using a screwdriver bit and magnetic Bit Holder. The Tray Bolt is case hardened the range of tools that can be used is extensive, ranging from the No.2 pozi screwdriver to the Rapadaptor used with a No.2 bi-torsion hexagon bit to even a pump screwdriver. A cordless drill can used with a low torque setting.



PFX Brackets (with 42mm stand-off)

Size (Up To)	Centres	Material Thickness	Finish	Dim A	Dim B	Width	Height	Box Qty	Outer Qty	Prod. Code
3"(75mm)	12.5	1.6mm	Zinc Plated	75	85	42	42	10	160	CTBH4075
6"(150mm)	12.5	1.6mm	Zinc Plated	145	160	42	42	10	160	CTBH4150

Minimum quantity supplied is one box.

Strong Underfloor Brackets - UFCTB



Thread Forming Screws included

Up to 600mm available



Imagine, you are installing tray or basket under a raised floor, you have just fixed your tophat style brackets to the floor, ready for fixing after lunch. You return to find someone has, quite innocently, walked on and distorted some of your brackets. You now have to replace the damaged brackets. Haley's UFCTB's solve this problem. Their rigid construction

They don't distort when walked on

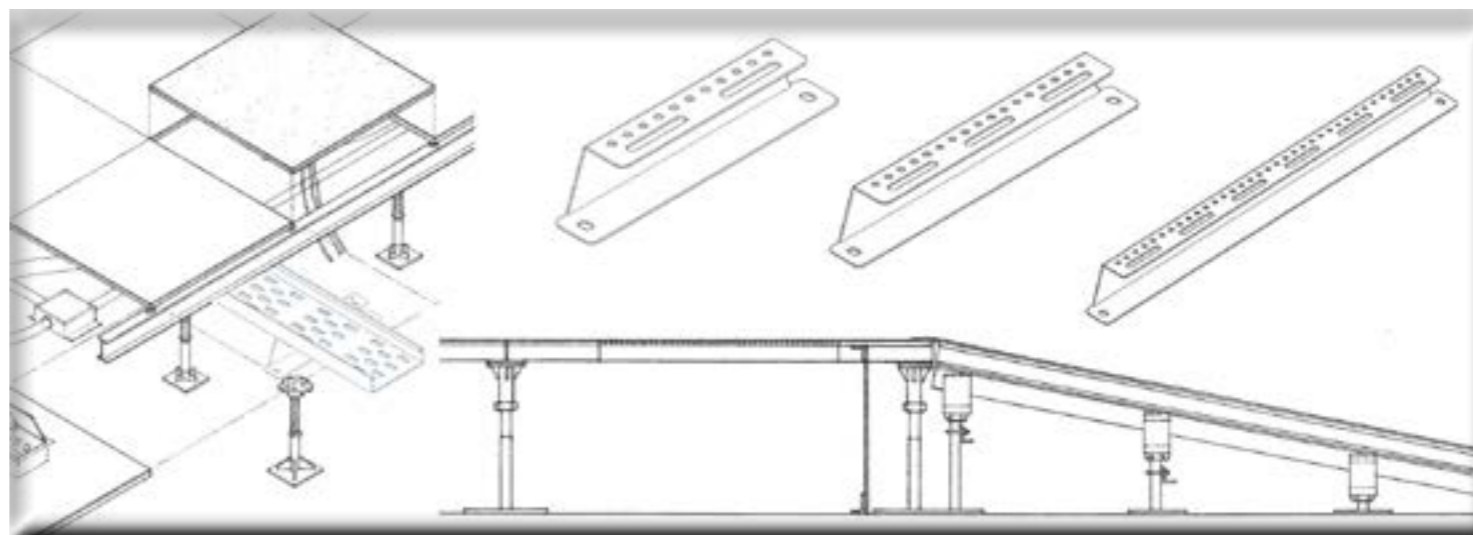
means they don't distort when walked on. With the added advantage of being able to secure the tray from above using our specially designed thread forming screws (supplied with the brackets) the job is made easier for you. UFCTB's can

Fixing can be done from above

also be used as a general support brackets in many other situations.

Sizes available : 75mm, 150mm, 225mm, 300mm, 450mm and 600mm.

Stand-off height : 42mm.



Size (Up To)	No of Slots	Material Thickness	Finish	OAL	Height	Width	Box Qty	Outer Qty	Prod. Code
3"(75mm)	1	1.6mm	Pre-Galv	125	42	31	10	200	UFCTB075
6"(150mm)	2	1.6mm	Pre-Galv	200	42	31	10	100	UFCTB150
9"(225mm)	3	1.6mm	Pre-Galv	275	42	31	10	80	UFCTB225
12"(300mm)	4	1.6mm	Pre-Galv	350	42	31	10	50	UFCTB300
18"(450mm)	6	1.6mm	Pre-Galv	500	42	31	10	40	UFCTB450
24"(600mm)	8	1.6mm	Pre-Galv	650	42	31	10	30	UFCTB600

Minimum quantity supplied is one box.

Tel : 0044 (0)1782 822602

Fax :0044 (0)1782 825856

website : www.haleyproducts.co.uk

Navigation Road, Burslem, Stoke on Trent, Staffs, ST6 3RU

Ceiling Brackets for Cable Tray (Light Duty)



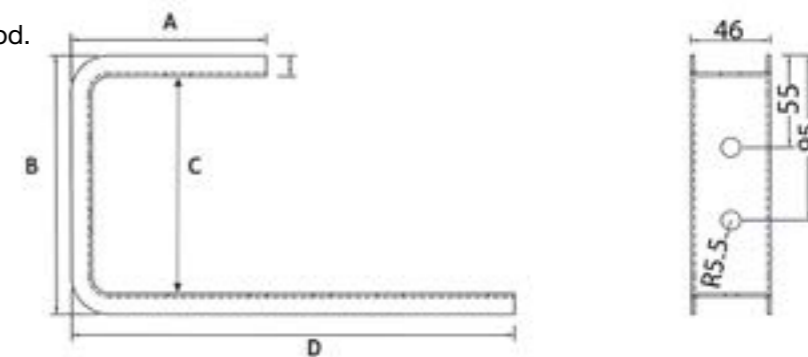
Features

- Ideal for lightweight support of cable tray and basket parallel to ceilings.
- Can be used for some limited suspension applications (up to 150mm).
- Designed for side loading of cable into tray thus saving both time and effort.
- Will fit over 41mm wide channel (strut) using a standard bolt and channel nut(zebedee).

Also available for cable basket

- Can be fitted directly to a ceiling using any appropriate fixing method.
- Elongated M6 clearance slots for easy alignment of tray or basket.
- Clamps available for use with cable basket.
- Backplates available to make fixing to wooden joists easier.

Will fit over framing channel



Range Available



With LBC450 end support Must be used



Size	Description	Inner Quantity	Outer Quantity	Product Code
129mm	Fixing to strut	10	100	LB-CES02Z
137mm	Fixing to ceiling	10	100	LB-CES13Z

Extra end support,if needed.
N.B. For the 450mm bracket, end support is needed.
 Minimum quantity supplied is box qty.

Size (Up To)	No of Slots	Material Thickness	Finish	Dim A	Dim B	Dim C	Dim D	Box Qty	Outer Qty	Prod. Code
4"(100mm)	2	2.0mm	Pre-Galv	113	149	124	130	10	60	LBC100
6"(150mm)	3	2.0mm	Pre-Galv	113	149	124	180	10	40	LBC150
9"(225mm)	4	2.0mm	Pre-Galv	113	149	124	257	10	40	LBC225
12"(300mm)	5	2.0mm	Pre-Galv	113	149	124	332	10	30	LBC300
18"(450mm)	7	2.0mm	Pre-Galv	113	149	124	332	10	10	LBC450

N.B. For the 450mm bracket, end support is needed. Minimum quantity supplied is one box.

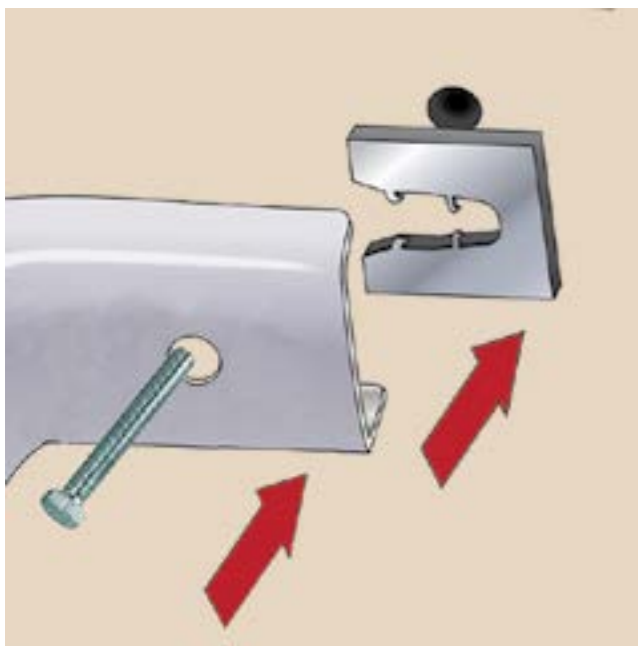
Tel : 0044 (0)1782 822602

Fax :0044 (0)1782 825856

website : www.haleyproducts.co.uk

Navigation Road, Burslem, Stoke on Trent, Staffs, ST6 3RU

Fixing to Ceilings

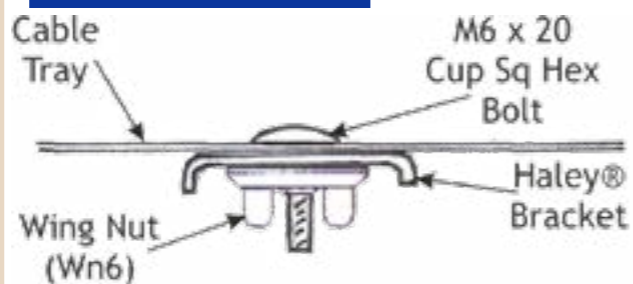


The LBBPK10 will help prevent any distortion when excess tightening force is applied.

Any suitable fixing method of the installers choice can be used

Image is for illustration purposes only, and is not to scale.

Fixing Kit for Tray

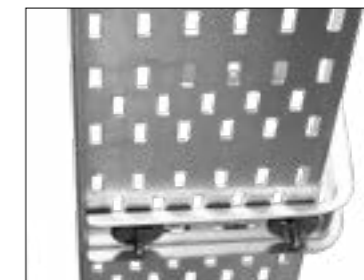


When working overhead the FK001 Tray Fixing Kit removes the need to use a screwdriver to hold the bolt securely while tightening up the nut.

The Kit comprises of an M6 Cup Square bolt and Wing Nut.

N.B. no tools needed to secure the tray.

Product Code : FK001 (Pack Quantity : 10)



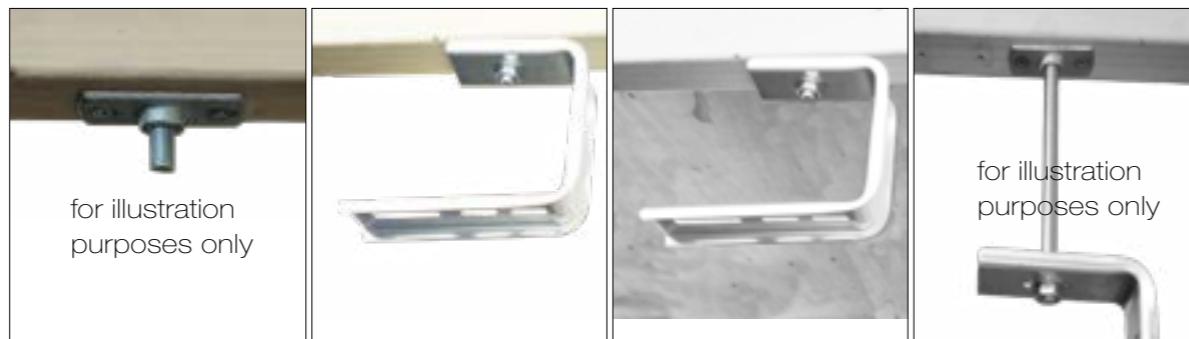
Ceiling Bracket Backplates (for use with wooden joists)

Packaging



Haley LBC brackets are packed in convenient multiples of 10.

This allows them to be stored, transported and used easily.



Fixing to wooden joists is made a lot easier with our HPB backplate range.

The problem with wooden joists is the need to use woodscrews. The restricted height between the two parallel faces makes it awkward to use a screwdriver. With the HBP range the plate is first, fixed to the wooden joist using your preferred fixing method. The bracket is then fixed using the nut or bolt that is supplied with each backplate. You can also buy a plain backplate and use your own bolt.

Image	Description	Finish	Box Qty	Product Code
	Backplate with stud & washer	Pre-Galv	25	HBP10ST
	Basic M10 backplate	Pre-Galv	50	HBP10FM

Minimum quantity supplied is box qty. For use when fixing to timber joists.

Tel : 0044 (0)1782 822602

Fax :0044 (0)1782 825856

website : www.haleyproducts.co.uk

Navigation Road, Burslem, Stoke on Trent, Staffs, ST6 3RU

Ceiling Brackets for Cable Basket



Features and Description

For **lightweight** support of cable tray and basket parallel to ceilings.
 Can be used for some limited suspension applications (up to 150mm).
 Designed for side loading cable into tray saving time and effort.

When using a **450mm bracket** an extra support should be used at the free end of the bracket for extra support.

N.B. When using 150mm basket and above, care has to be taken when choosing your brackets. Some manufacturers make their larger basket using even number of wires, and others have an odd wire number, with a centre wire.

To overcome this issue Haley Products manufactures separate brackets for sizes of 150mm and above. **N.B.** when ordering your basket and brackets.

Packaging



Haley LBCBA brackets are packed in convenient multiples of 10.
 This allows them to be stored, transported and used easily.

Sizes Available



Basket Size	No of Tabs	Material Thickness	Finish	Box Qty	Outer Qty	Prod. Code
100mm	4	2.0mm	Pre-Galv	10	60	LBCBA100
150mm – Pensa and other 2 wires	4	2.0mm	Pre-Galv	10	50	LBCBA150PE
150mm – Centre Wire Basket usually 3 wires	4	2.0mm	Pre-Galv	10	50	LBCBA150ST
200mm – basket with 4 wires	4	2.0mm	Pre-Galv	10	40	LBCBA200
200mm – Centre Wire Basket usually 3 wires	4	2.0mm	Pre-Galv	10	40	LBCBA213
300mm	4	2.0mm	Pre-Galv	10	30	LBCBA300
300mm – Centre Wire Basket usually 5 wires	4	2.0mm	Pre-Galv	10	30	LBCBA315

Tel : 0044 (0)1782 822602

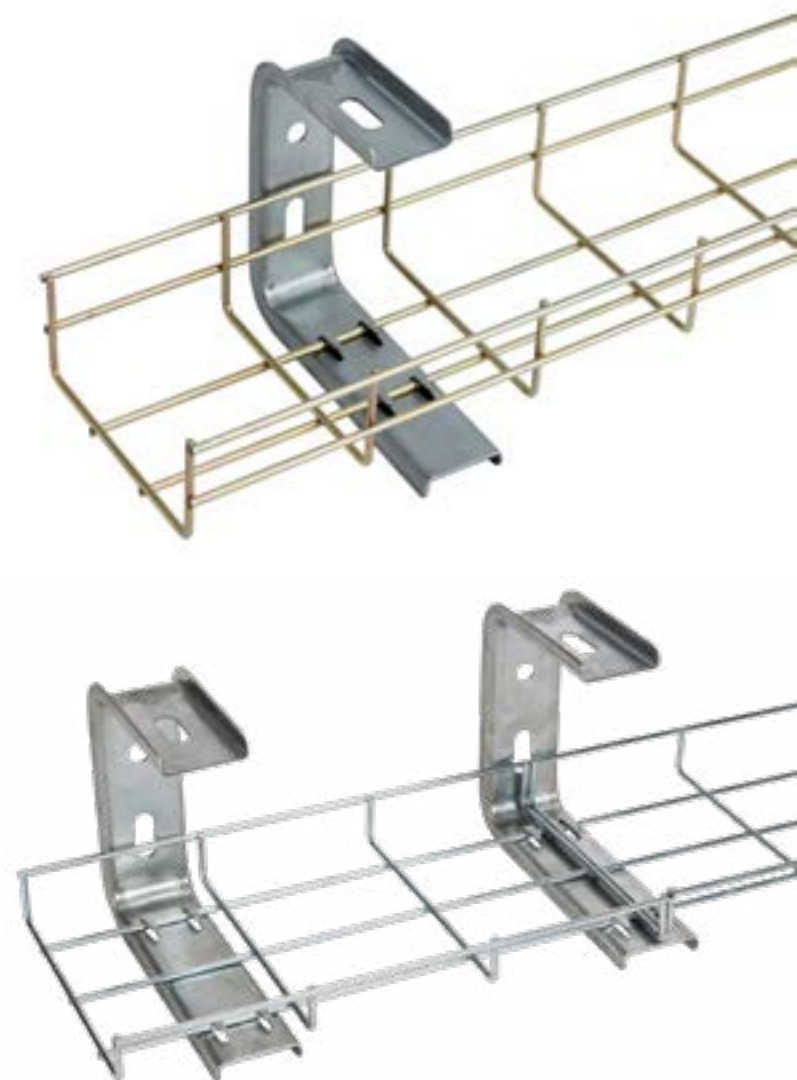
Fax :0044 (0)1782 825856

website : www.haleyproducts.co.uk

Navigation Road, Burslem, Stoke on Trent, Staffs, ST6 3RU

Ceiling Brackets for Cable Basket(cont.)

Important information—please note



N.B. When using 150mm basket care has to be taken when buying your brackets. Some manufacturers make their 150mm basket using two bottom wires, notably Pensa, where as others have three wires. This is demonstrated in the above images.

To help overcome this issue Haley Products have manufactured two sizes of 150mm bracket, the **LBCBA150PE** for 150mm basket with two bottom wires and the **LBCBA150ST** for 150mm basket with three bottom wires. Please pay attention to this when ordering your basket and brackets



Ceiling Bracket Backplates (for use with wooden joists)



Fixing to wooden joists is made a lot easier with our HPB backplate range.

The problem with wooden joists is the need to use woodscrews. The restricted height between the two parallel faces makes it

awkward to use a screwdriver. With the HBP range the plate is first, fixed to the wooden joist using your preferred fixing method. The bracket is then fixed using the nut or bolt that is supplied with each backplate. You can also buy a plain backplate and use your own bolt.

Image	Description	Finish	Box Qty	Product Code
	Backplate with stud & washer	Pre-Galv	25	HBP10ST
	Basic M10 backplate	Pre-Galv	50	HBP10FM

Minimum quantity supplied is box qty. For use when fixing to timber joists.

Angled Wall Brackets for Cable Tray (Light Duty)



Range Available



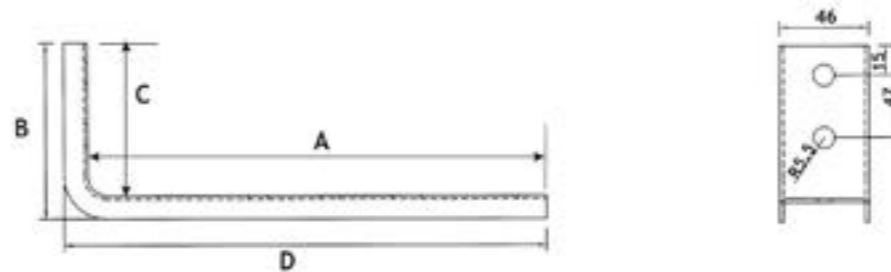
N.B. When using the 450mm bracket extra support should be used at the free end.



LB Strut Fixing

Will fit over 42mm wide framing channel(strut) using a standard bolt and channel nut(zebedee).

Can also be fitted directly to a wall a length of studding using any appropriate fixing method.



Features

- Designed for lightweight support of cable tray and basket perpendicular to vertical walls.
- Also designed to fit over 41mm wide channel (strut) using a standard bolt and spring nut (zebedee).
- **Will fit over framing channel**
- Can be fitted directly to a wall using appropriate fixing methods.
- Optional packings are also available.
- Fixing holes are M10 clearance.
- Elongated M6 clearance slots for easy alignment of tray or basket.
- Clamps available for use with cable basket.
- **Also available for cable basket**
- Can be used on retro-fit applications to M10 studding using 2 basic wire rope grips.

Size (Up To)	No of Slots	Material Thickness	Finish	Dim A	Dim B	Dim C	Dim D	Box Qty	Outer Qty	Prod. Code
4"(100mm)	2	2.0mm	Pre-Galv	100	90	78	123	10	100	LB100
6"(150mm)	3	2.0mm	Pre-Galv	150	90	78	175	10	80	LB150
9"(225mm)	4	2.0mm	Pre-Galv	225	90	78	249	10	60	LB225
12"(300mm)	5	2.0mm	Pre-Galv	300	90	78	325	10	60	LB300
18"450mm	7	2.0mm	Pre-Galv	450	90	78	475	10	40	LB450
Packing Piece	Optional packing piece for when fixing to walls									LBBPK10

Minimum quantity supplied is one box.

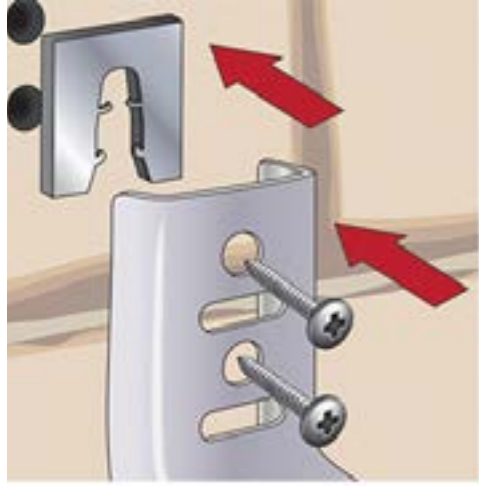
Tel : 0044 (0)1782 822602

Fax :0044 (0)1782 825856

website : www.haleyproducts.co.uk

Navigation Road, Burslem, Stoke on Trent, Staffs, ST6 3RU

Fixing to Walls and Retro Fit



Can be fitted directly to a wall using appropriate fixing methods. Optional packing pieces are also available.



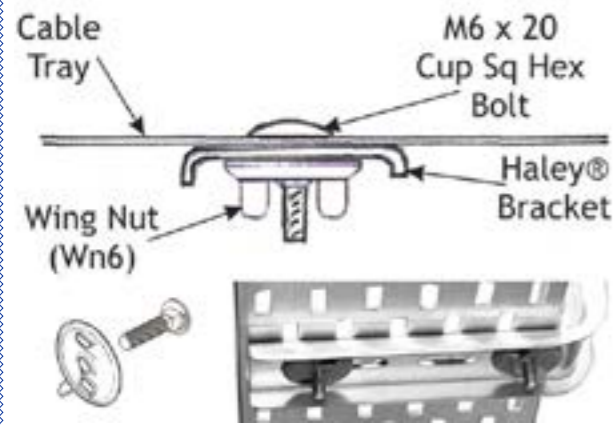
Can be used on retro-fit applications to M10 studding using 2 basic wire rope grips.

Packaging



Haley LB brackets are packed in convenient multiples of 10. This allows them to be stored, transported and used easily.

Fixing Kit for Tray



When working overhead the FK001 removes the need to use a screwdriver to hold the bolt securely while tightening up the nut. N.B. no tools needed to secure the tray.

The Kit comprises of an M6 Cup Square bolt and Wing Nut.

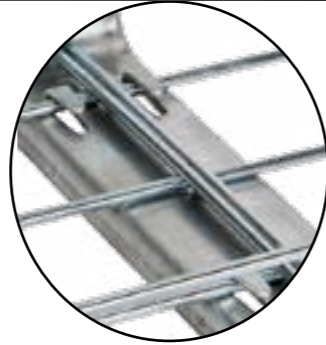
Tel : 0044 (0)1782 822602

Fax :0044 (0)1782 825856

website : www.haleyproducts.co.uk

Navigation Road, Burslem, Stoke on Trent, Staffs, ST6 3RU

Angled Wall Brackets for Cable Basket



Features and Description

For **lightweight** support of cable tray and basket parallel to ceilings.

Can be used for some limited suspension applications (up to 150mm).

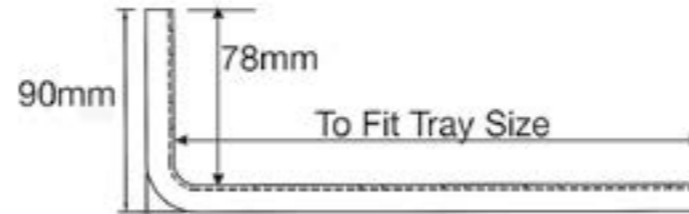
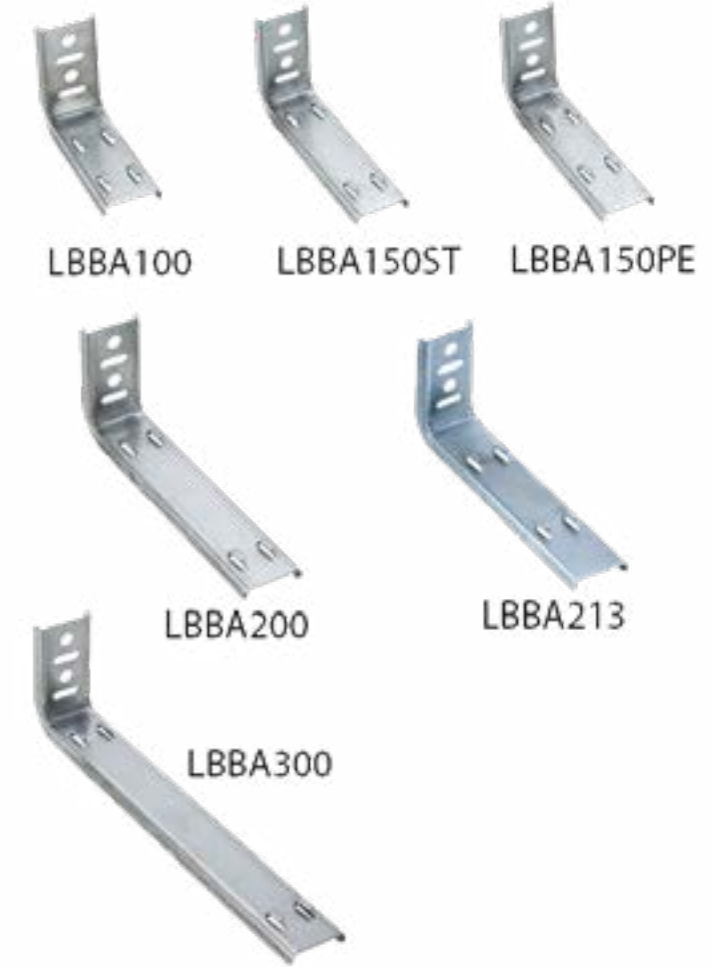
Designed for side loading cable into tray saving time and effort.

When using any **450mm bracket** an extra support should be used at the free end of the bracket for extra support.

N.B. When using 150mm basket and above, care has to be taken when choosing your brackets. Some manufacturers make their larger basket using even number of wires, and others have an odd wire number, with a centre wire.

To overcome this issue Haley Products manufactures separate brackets for sizes of 150mm and above. **N.B.** When ordering your basket and brackets.

Range Available



Size (Up To)	No of Tabs	Mat. Thick.	Finish	Box Qty	Outer Qty	Prod. Code
100mm	4	2.0mm	Pre-Galv	10	100	LBBA100
150mm – Pensa and other 2 wires	4	2.0mm	Pre-Galv	10	80	LBBA150PE
150mm – Centre Wire Basket usually 3 wires	4	2.0mm	Pre-Galv	10	80	LBBA150ST
200mm – basket with 4 wires	4	2.0mm	Pre-Galv	10	60	LBBA200
200mm – Centre Wire Basket usually 3 wires	4	2.0mm	Pre-Galv	10	60	LBBA213
300mm	4	2.0mm	Pre-Galv	10	60	LBBA300
300mm – Centre Wire Basket usually 5 wires	4	2.0mm	Pre-Galv	10	60	LBBA315
Packing Pieces						LBBPK10

Optional packing piece for when fixing to walls
Minimum quantity supplied is one box.

Tel : 0044 (0)1782 822602

Fax :0044 (0)1782 825856

website : www.haleyproducts.co.uk

Navigation Road, Burslem, Stoke on Trent, Staffs, ST6 3RU

Angled Wall Brackets for Cable Basket



Important information—please note

N.B. When using 150mm basket and above, care has to be taken when buying your brackets. Some manufacturers make their 150mm basket using two bottom wires, notably Pensa, whereas others have three wires. This is demonstrated in the above images.

To help overcome this issue Haley Products have manufactured two sizes of 150mm bracket, the **LBCBA150PE** for 150mm basket with two bottom wires and the **LBCBA150ST** for 150mm basket with three bottom wires. Please pay attention to this when ordering your basket and brackets

Packaging



Haley LBCBA brackets are packed in convenient multiples of 10. This allows them to be stored, transported and used easily.

Some more options



Optional packing piece (LBBPK10)



Retro-fit to M10 Studding

Tel : 0044 (0)1782 822602

Fax :0044 (0)1782 825856

website : www.haleyproducts.co.uk

Navigation Road, Burslem, Stoke on Trent, Staffs, ST6 3RU

Single Centre Support



Features

- Designed for side loading of cable into tray or basket. This increases productivity and only one suspension rod reduces material costs.
- Can be fitted directly to a wall using any appropriate fixing method.
- Fixing holes are M10 clearance to accommodate any M10 thread.
- Elongated M6 clearance slots for easy alignment of tray or basket.

Packaging

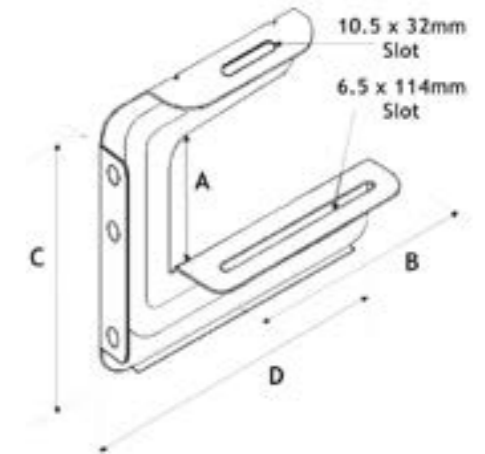
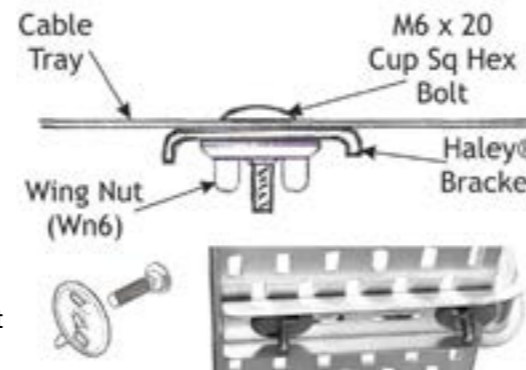


Haley SB brackets are packed in convenient multiples of 10. This allows them to be stored, transported and used easily.

Fixing Kit for Tray

When working overhead the FK001 removes the need to use a screwdriver to hold the bolt securely while tightening up the nut. N.B. no tools needed to secure the tray.

The Kit comprises of an M6 Cup Square bolt and Wing Nut.



Size (Up To)	No of Slots	Material Thickness	Finish	Dim A	Dim B	Dim C	Dim D	Box Qty	Outer Qty	Prod. Code
4"(100mm)	1	2.0mm	Pre-Galv	82	100	175	150	10	50	SB00
6"(150mm)	1	2.0mm	Pre-Galv	82	152	175	200	10	40	SB01
9"(225mm)	2	2.0mm	Pre-Galv	82	225	182	280	10	30	SB02
12"(300mm)	2	2.0mm	Pre-Galv	82	300	182	355	5	20	SB03
Use with SB03	N/A	1.6mm	Pre-Galv	SB03 end support				20	160	SBES300
M6 Bolt/WN06	N/A	N/A	Zinc	For simple clamping of tray				10	50	FK001

Minimum quantity supplied is one box.

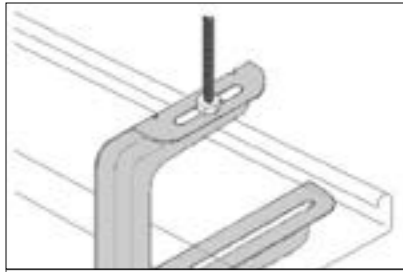
Tel : 0044 (0)1782 822602

Fax :0044 (0)1782 825856

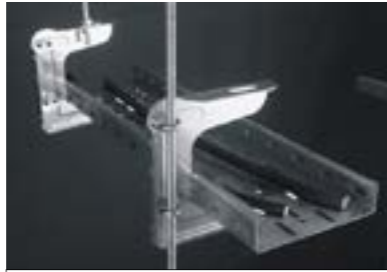
website : www.haleyproducts.co.uk

Navigation Road, Burslem, Stoke on Trent, Staffs, ST6 3RU

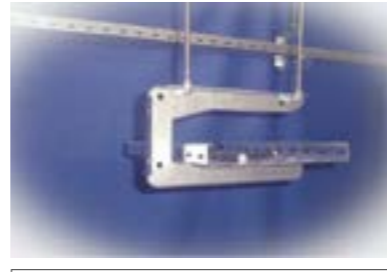
Some application examples



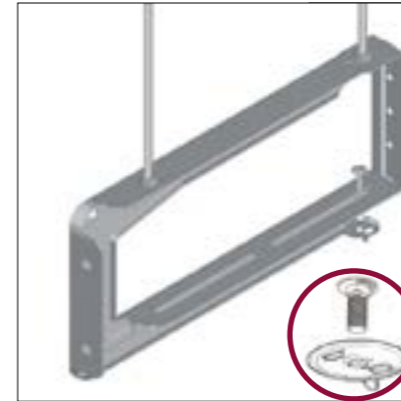
1) SB01 with central hanger for side loading cable.



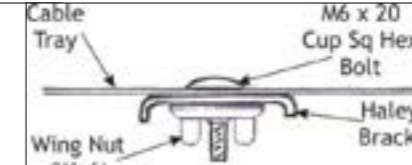
2) SB01 in a retrofit application using 2 x WR24 rope grips.



3) SB03 with trapeze application for side loading cable.



4) SB03 with trapeze application for side loading cable then gated off using an SBES300.



5) When working overhead the FK001 removes the need to use a screwdriver to hold the bolt securely while tightening up the nut. N.B. no tools needed to secure the tray.

FK001
The Kit comprises of an M6 Cup Square bolt and Wing Nut.



6) SBES300 top flange is clamped under top studding nut and bottom flange is secured under the tray bolt nut.

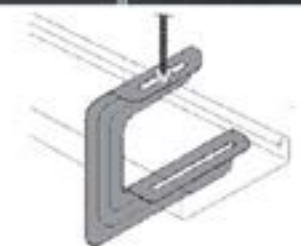
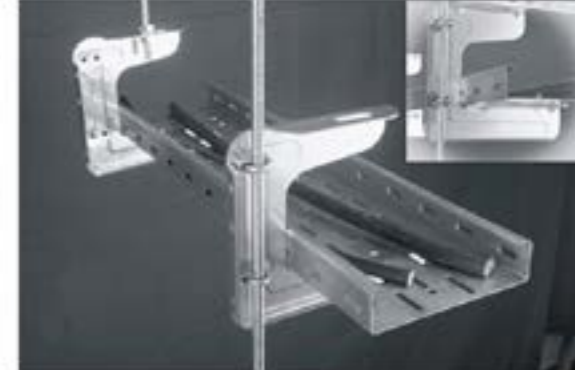
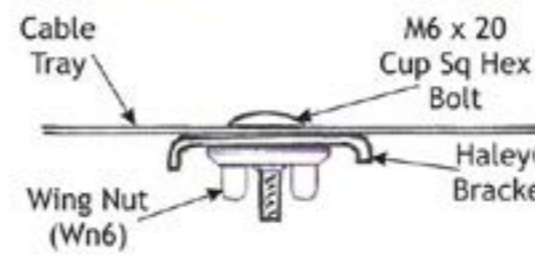
Spring Slide Clips



Features

- Quick and simple method of fixing cable basket to Suspension Brackets, LBC, LB and LBCEL Brackets.
- Will work with most cable basket.

Product Code : SLC01



Tel : 0044 (0)1782 822602

Fax :0044 (0)1782 825856

website : www.haleyproducts.co.uk

Navigation Road, Burslem, Stoke on Trent, Staffs, ST6 3RU

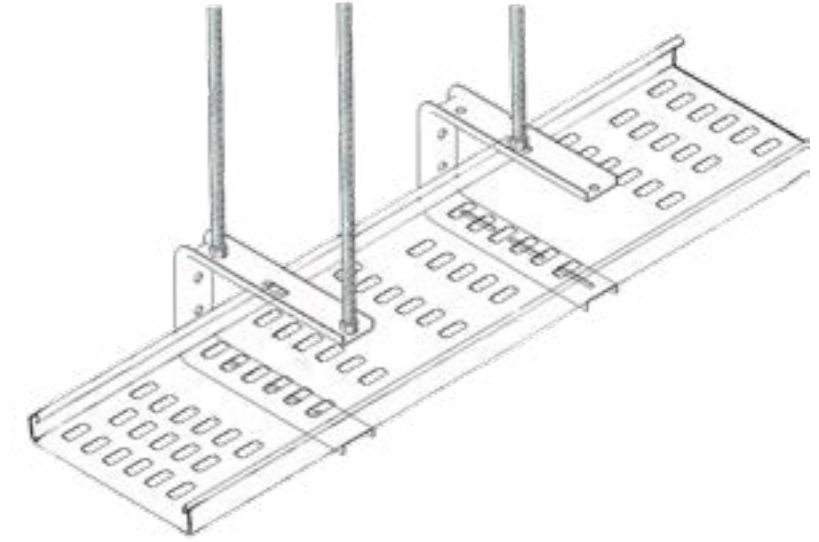
Equal Leg Ceiling and Double Point Suspension Brackets (Light Duty)

Single or double drops can be used



Features

- Designed for lightweight support of cable tray and basket.
- Designed for side loading of cable into tray or basket.
- Fits over 42mm channel (strut) using a standard bolt and spring nut(zebedee).
- Can be fitted directly to a wall using any appropriate fixing method.
- Elongated M6 clearance slots for easy alignment.
- Fixing holes are M10 clearance.
- Clamps available for use with cable basket.
- All the features and benefits of the LBC Brackets plus the ability to suspend from either single centre support studding or from two drops of studding forming a trapezium. Either method retains the ability to side load the tray or basket.



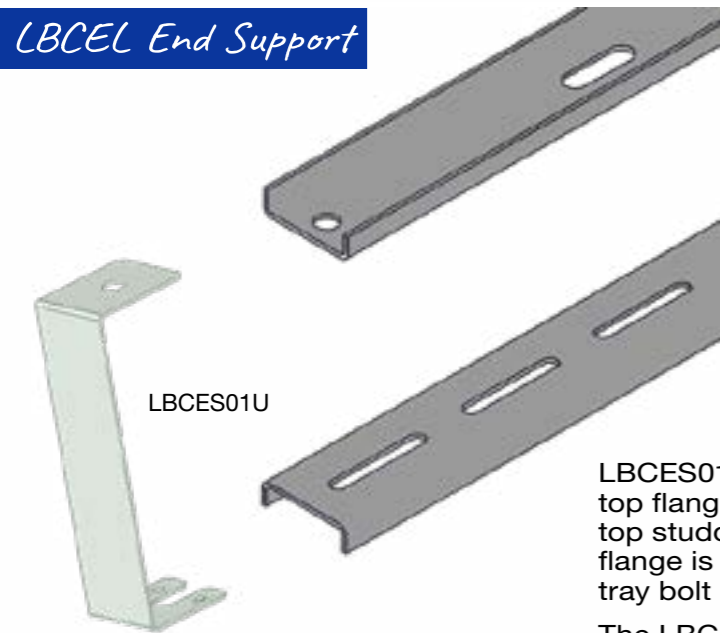
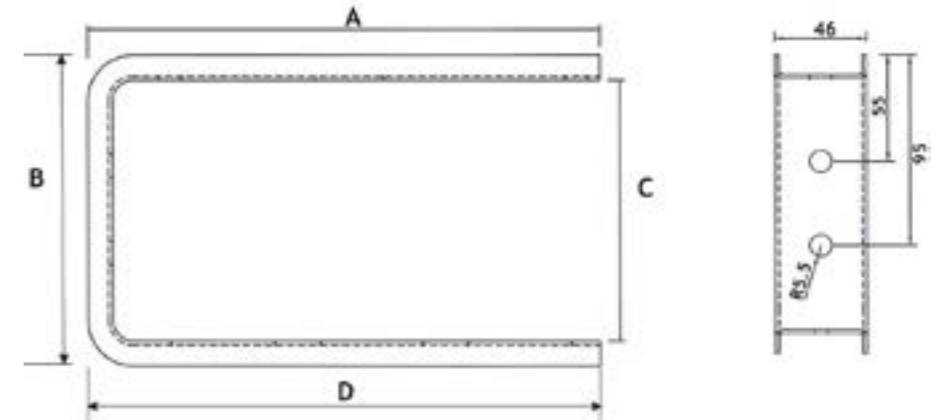
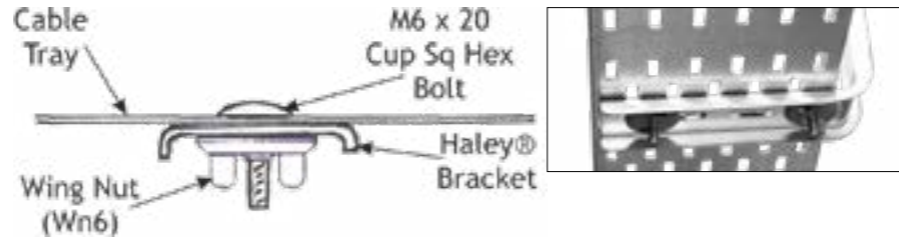
Fixing Kit for Tray

When working overhead the FK001 removes the need to use a screwdriver to hold the bolt securely while tightening up the nut.

N.B. no tools needed to secure the tray.

The Kit comprises of an M6 Cup Square bolt and Wing Nut.

LBCEL End Support



LBCES01U

LBCES01U end support. The top flange is clamped under top studding nut and bottom flange is secured under the tray bolt nut.

The LBCES01U adds extra support for the LBCEL225 and LBCEL300, if needed.

Size (Up To)	No of Slots	Material Thickness	Finish	Dim A	Dim B	Dim C	Dim D	Box Qty	Outer Qty	Prod. Code
9"(225mm)	3	2.0mm	Pre-Galv	268	149	124	268	10	40	LBCEL225
12"(300mm)	4	2.0mm	Pre-Galv	113	149	124	321	10	30	LBCEL300
End Support	N/A	1.2mm	Pre-Galv	Supports both brackets ends				10	N/A	LBCES1U

Minimum quantity supplied is one box.

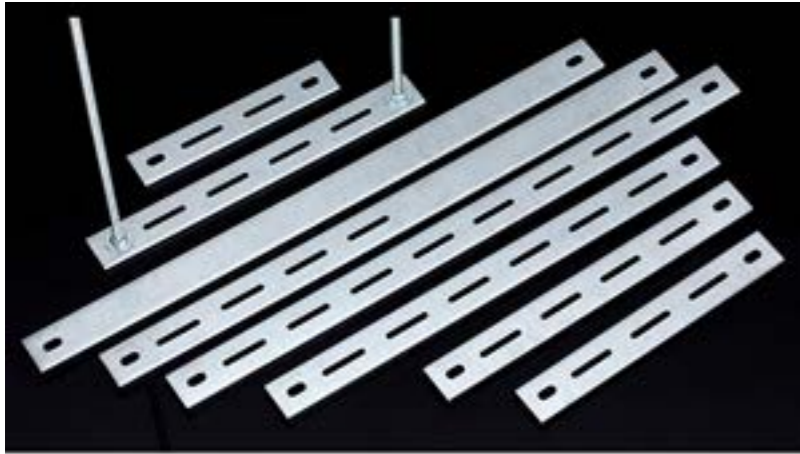
Tel : 0044 (0)1782 822602

Fax :0044 (0)1782 825856

website : www.haleyproducts.co.uk

Navigation Road, Burslem, Stoke on Trent, Staffs, ST6 3RU

Trapeze Suspension Brackets



Original brackets had suspension slots only punched in them. In later bracket production we have incorporated two holes to accommodate M5 Thread Formers that work with our Flat Plate Nut.

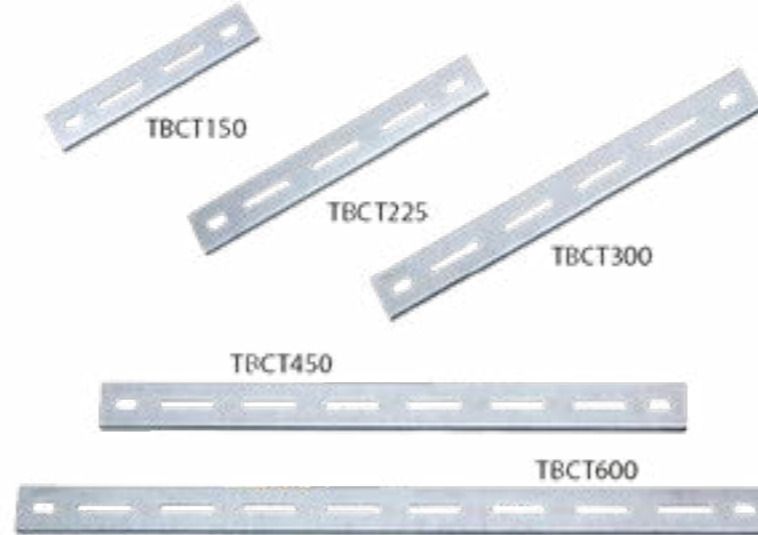
Bracket sizes and description

Custom made Trapeze Brackets. Made to simplify the use of trapeze method for suspending tray and basket. Designed using the same profile as our very popular LB Wall and LBC Ceiling Brackets. The slots are M6 clearance and the end slots are M10 clearance.

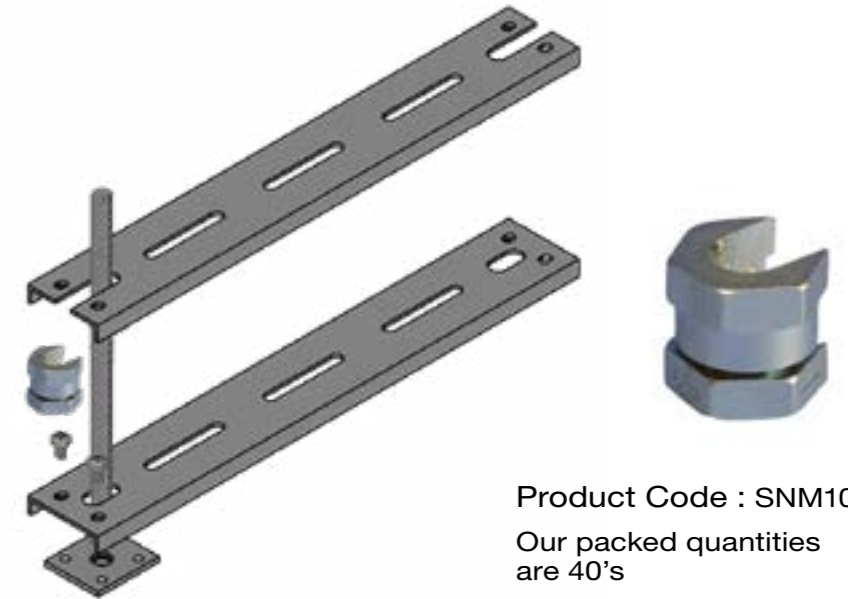
Sizes : 150mm, 225mm, 300mm, 450mm and 600mm.

We can produce brackets specifically for cable basket to order.

A combination of tray and basket will also be available on a bespoke basis, to order.



Slotted Ends for Retro-fitting



Product Code : SNM10
Our packed quantities are 40's

This is an in-house service we offer to order, (at the present). It allows the retrofitting of an extra level of tray above an existing run of tray.

The Split Nut in the image is the SNM10 and is manufactured by Caddy Nvent. They can be supplied by us or any Caddy stockist.

Images	Tray Size	Overall Length	No of Slots	Material Thickness	Finish	Box Qty	Outer Qty	Prod. Code
	150mm	240mm	2	2.0mm	Pre-Galv	10	N/A	TBCT150
	225mm	315mm	3	2.0mm	Pre-Galv	10	N/A	TBCT225
	300mm	390mm	4	2.0mm	Pre-Galv	10	N/A	TBCT300
	450mm	540mm	6	2.0mm	Pre-Galv	10	N/A	TBCT450
	600mm	690mm	8	2.0mm	Pre-Galv	10	N/A	TBCT600

The OAL is easily determined by adding 90mm to the tray size i.e. tray size + 90mm.

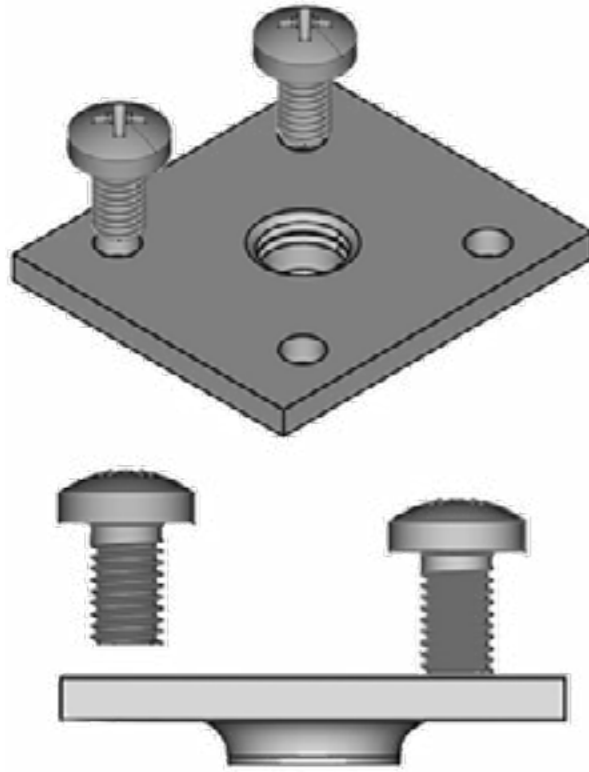
Tel : 0044 (0)1782 822602

Fax :0044 (0)1782 825856

website : www.haleyproducts.co.uk

Navigation Road, Burslem, Stoke on Trent, Staffs, ST6 3RU

Flat Plate Nuts



Designed to fit inside the trapeze removing the need for a spanner to hold the underside nut.

Two M5x8 Thread Former Screws and spring washers are supplied to secure the bracket from the top. Thus, no top nut required. They require a NO.2 pozi screwdriver.

M5 spring washers are also supplied.

The Square Plate Nut dimensions are 40mm x 35mm. The plate is 3mm thick. The 35mm size should slide inside strut.

The fixing holes and fixing slots were a later innovation to our trapeze bracket. Some of our stock of trapeze brackets will not have slots in them.

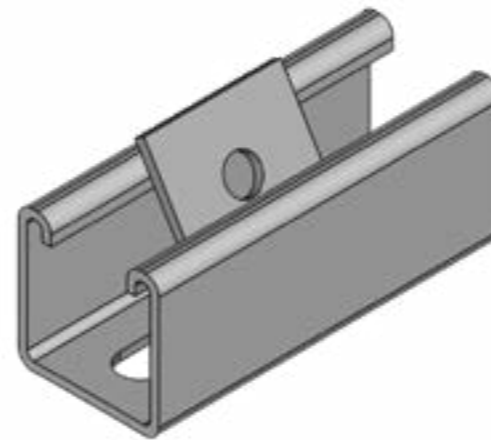



Diagram is for demonstration purposes only of the application

Our Flat Plate Nuts have a limited application used in conjunction with strut.

The plate can be inserted into the strut from the top.

Tray Size	Size	Thread	Material Thickness	Finish	Box Qty	SLW	Prod. Code
	40mm x 35mm	M6	3.0mm	Zinc Plated	20	50kg.	TBSQP06
	40mm x 35mm	M8	3.0mm	Zinc Plated	20	50kg.	TBSQP08
	40mm x 35mm	M10	3.0mm	Zinc Plated	20	50kg.	TBSQP10

Spring Slide Clips

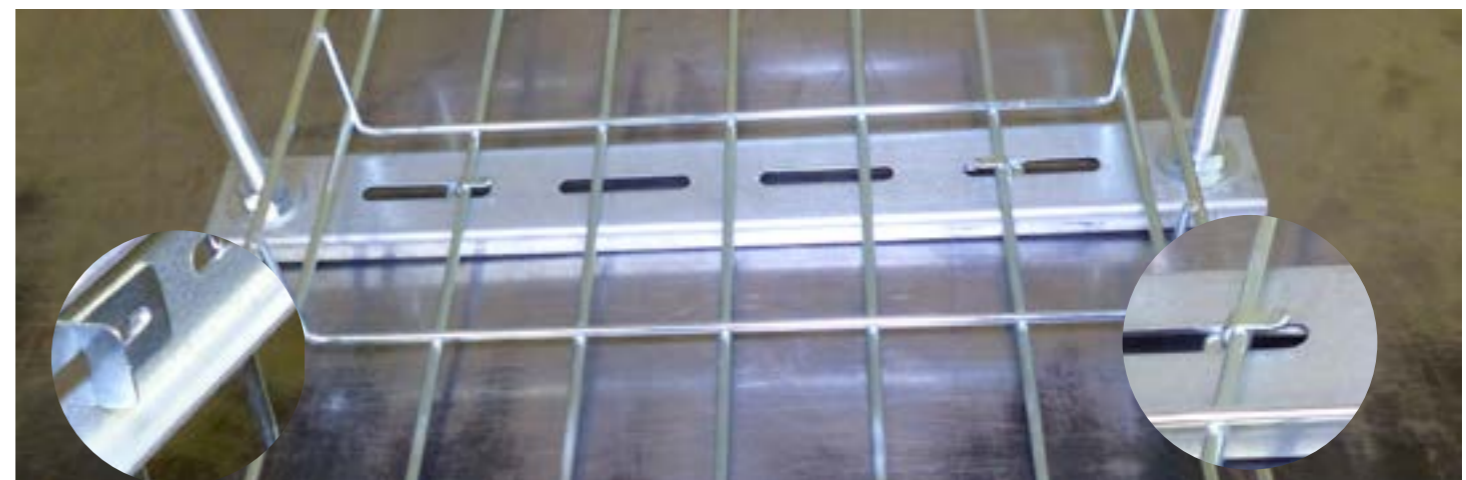
Spring Slide Clips



Product Code : SLC01

Features

- Quick and simple method of fixing cable basket to Suspension Brackets, Trapeze Brackets, LBC, LB and LBCEL Brackets.
- Will work with most cable basket.

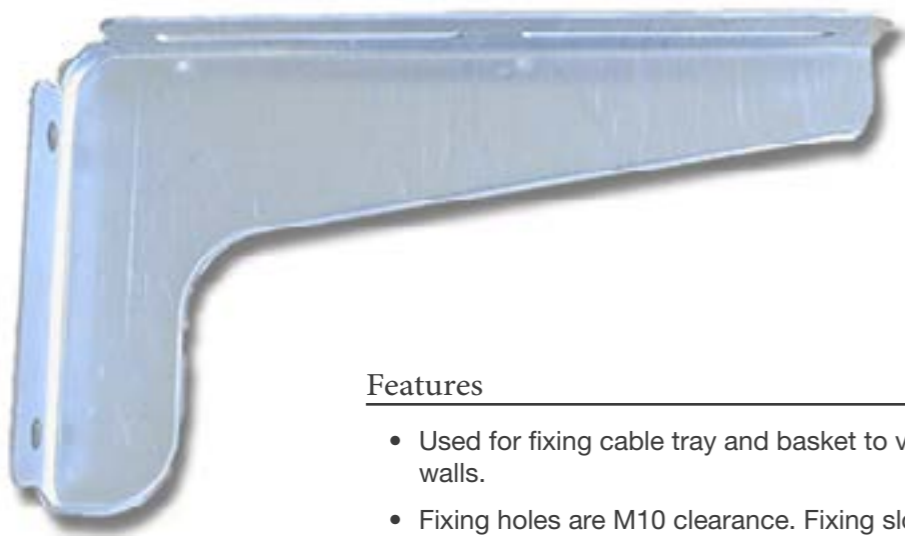


Tel : 0044 (0)1782 822602

Fax :0044 (0)1782 825856

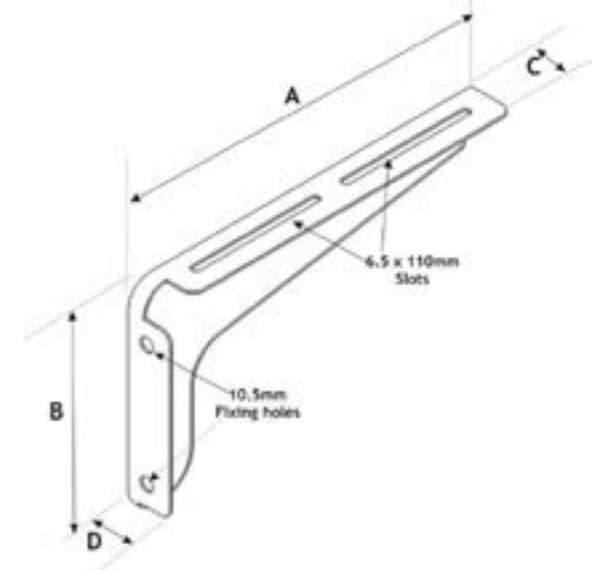
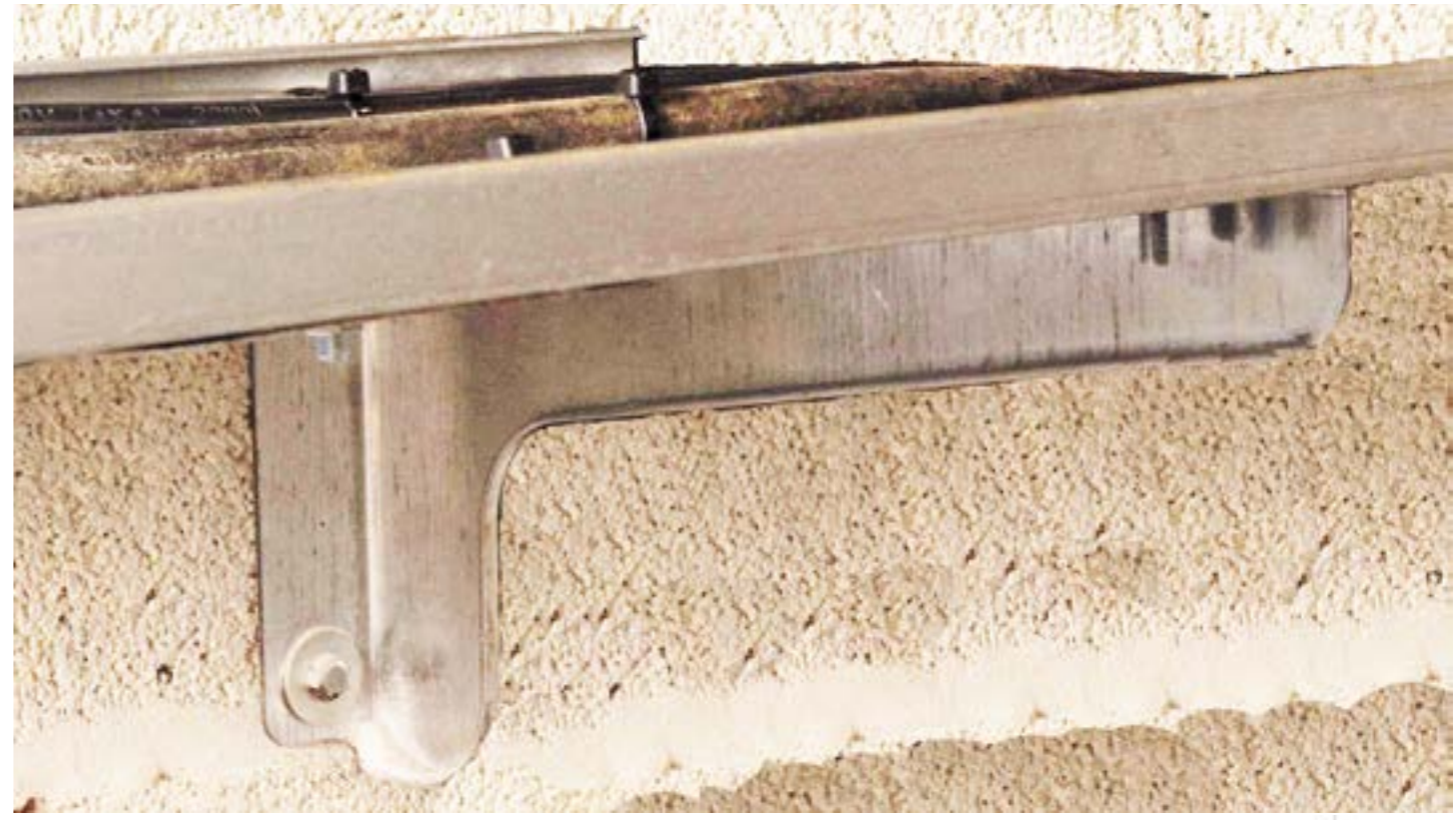
website : www.haleyproducts.co.uk

Navigation Road, Burslem, Stoke on Trent, Staffs, ST6 3RU



Features

- Used for fixing cable tray and basket to vertical walls.
- Fixing holes are M10 clearance. Fixing slot is M6 clearance.
- The bracket is wide enough to fix on to strut.



Size (Up To)	Prod. Code
12"(300mm)	CB300

No of Slots	Material Thickness	Finish	Dim A	Dim B	Dim C	Dim D	Inner Qty	Outer Qty
2	2.0mm	Pre-Galv	298	175	38	38	10	30

Minimum quantity supplied is one box.

Tel : 0044 (0)1782 822602

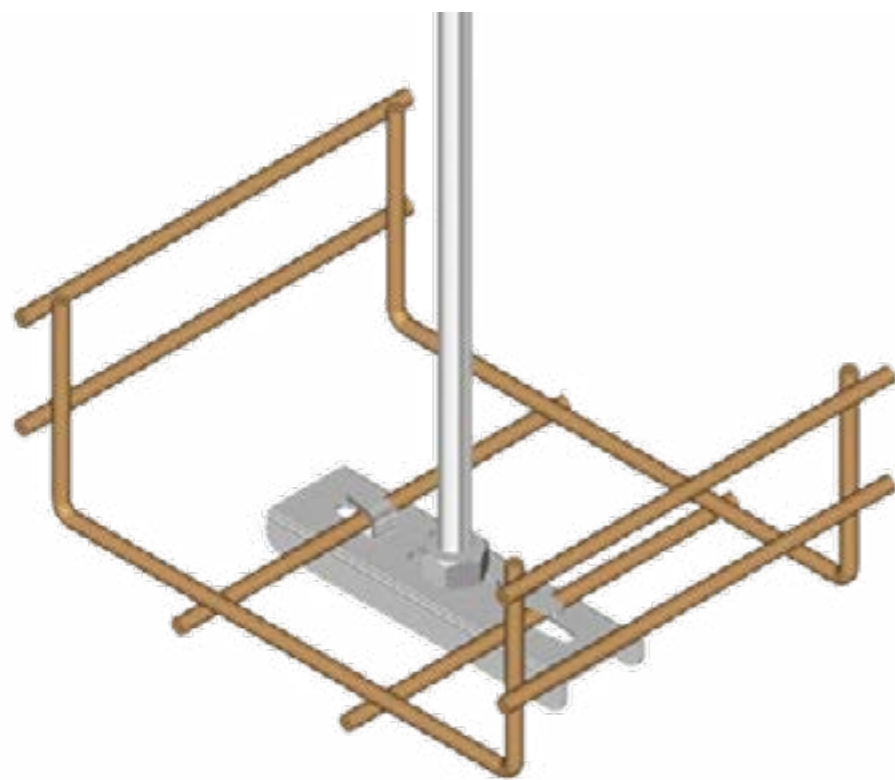
Fax :0044 (0)1782 825856

website : www.haleyproducts.co.uk

Navigation Road, Burslem, Stoke on Trent, Staffs, ST6 3RU

Cable Basket Centre Support Brackets (simply twist-in)

Bracket Sizes and Description



CSB1500 Works with 100 & 150mm basket with even number of base wires.

CSB149A Works with 150mm basket with centre base wires.

CSB2000 Works with 200mm basket with even number of base wires

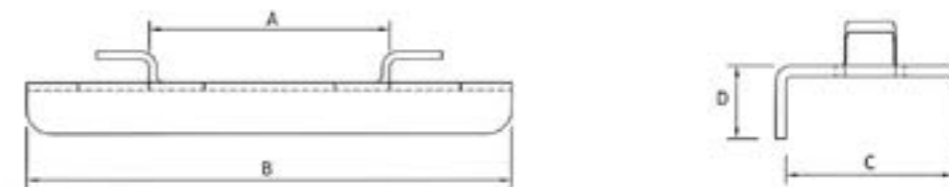
CS3000 Works with 300mm basket with even number of base wires.

Cable Basket Central Suspension Brackets are quick, easy to use, allow side loading of basket. The bracket simply twists into basket wires making a simpler installation. The bracket will stay in place giving a hands free operation. The under side of the bracket is wide enough to accept an M10 plain channel nut or a standard hexagon nut. When using a plain channel nut the bracket acts like the jaws of a spanner.

The CSB bracket will make suspended installation of cable basket simpler. Central support means the cable can be side loaded into the basket.

Features

- For centre suspension of cable basket.
- Twists into basket for simpler installation. With the simple twist in action it could not be easier.
- Accepts M10 nut or M10 plain channel nut.
- Fixing slot is M10 clearance.
- Fixing slot : 10.5 x 24mm.



Basket Size	Material Thickness	Finish	Dim A	Dim B	Dim C	Dim D	Box Qty	Outer Qty	Prod. Code
100/150mm	1.2mm	Pre-Galv	44	89	21.7	9.5	100	500	CSB1500
150mm *	1.2mm	Pre-Galv	91	143	21.7	9.5	60	300	CSB149A
200mm	1.2mm	Pre-Galv	144	189	21.7	9.5	50	250	CSB2000
300mm	1.6mm	Pre-Galv	244	289	21.7	11.5	20	200	CSB3000

*Works with basket manufactured with a centre wire.

Minimum quantity supplied is one box.

Tel : 0044 (0)1782 822602

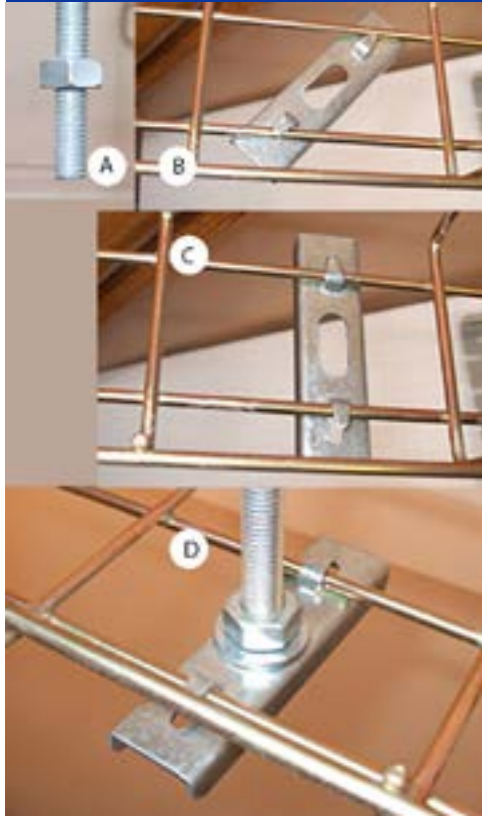
Fax :0044 (0)1782 825856

website : www.haleyproducts.co.uk

Navigation Road, Burslem, Stoke on Trent, Staffs, ST6 3RU

Cable Basket Centre Support Brackets(cont.)

CSB Installation—how it works



A : Run nut along studding to about 30mm.

B : Place bracket between the two inner longitudinal wires.

C : Twist bracket 90° to engage tabs with the longitudinal basket wires.

D : Place a washer under nut and feed the bracket over the studding adjusting to the required height. Feed on a washer & nut or plain channel nut. Adjust to required height. Lower the basket on to the lower nut and tighten the top nut.

Additional features



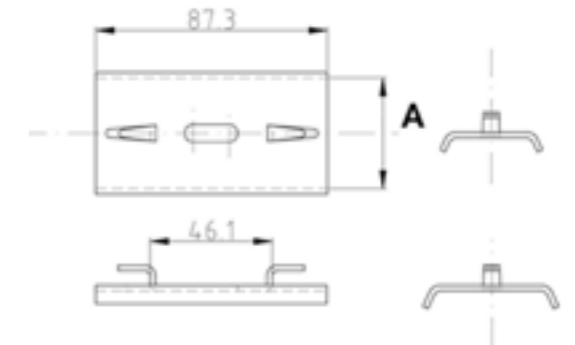
1 : The CSB1500 can be pre-assembled on the studding and then just twisted into place.



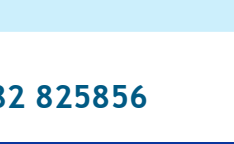


2 : The CSB149A can be used with narrow basket with centre wire. 3 : All CSB brackets allow the use of a plain channel nut. No spanner need for the bottom nut.

CAB Twist-In Suspension Brackets



- A low cost centre suspension bracket for cable basket.
- Twists into basket for simpler installation.
- 3 thread sizes. M6, M8, and M10.



Will Fit most Basket Sizes	Material Thickness	Finish	Dim A	Slot Width	Slot Length	Box Qty	Prod. Code
	1.6mm	Pre-Galv	42mm	M6	20mm	25	CAB204606
	1.6mm	Pre-Galv	42mm	M8	20mm		CAB204608
	1.6mm	Pre-Galv	42mm	M10	20mm		CAB204610
	1.6mm	Pre-Galv	26mm	M6	20mm		CAB201906
	1.6mm	Pre-Galv	26mm	M8	20mm	20	CAB201908

Minimum quantity supplied is one box.

Tel : 0044 (0)1782 822602

Fax :0044 (0)1782 825856

website : www.haleyproducts.co.uk

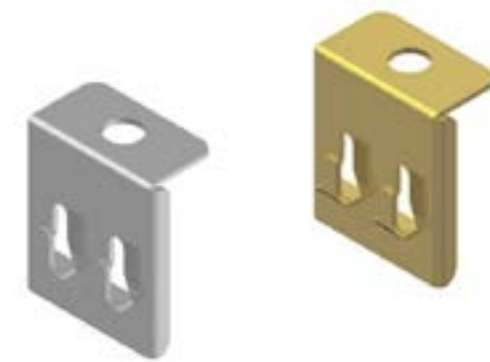
Navigation Road, Burslem, Stoke on Trent, Staffs, ST6 3RU

Cable Basket Side Suspension Brackets(cont.)



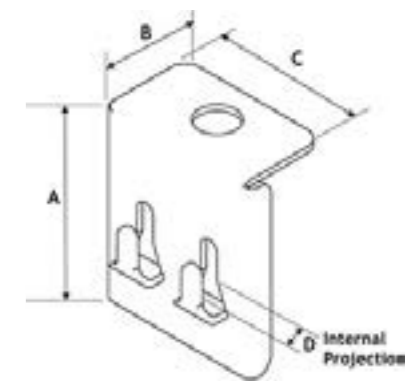
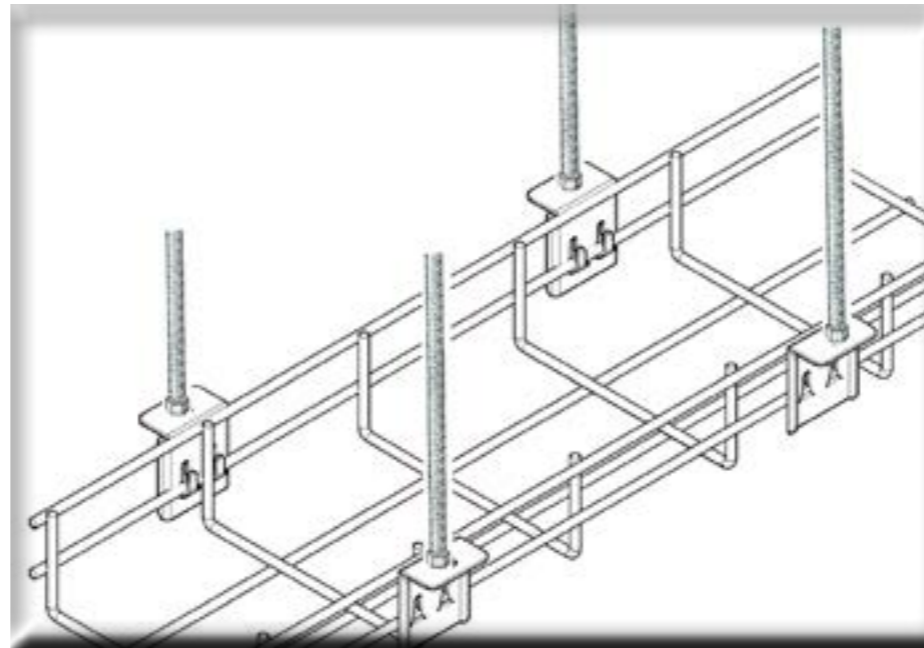
Features

- Simple and economical side suspension brackets for cable basket.
- Basket wire sits into bracket for simpler installation and projection tabs can be crimped over.
- Accept up to M10 bolt size.
- Works with most cable basket.
- One size - three finishes.



A: Basket wire simply sits in bracket tabs. These can be crimped over later to keep the basket secure in the bracket.

B: Two tabs, in conjunction with appropriate connectors, allows basket to be joined at the bracket.



Packaging



CSB brackets are packed in 40's. This allows them to be stored, transported and used easily.

All packaging material is either recyclable or biodegradable.

Haley Side Suspension Brackets, are simple to use, economical side suspension brackets for cable basket.

1 : One size that will work with most makes of basket.

2 : Three finishes, Zinc & Clear, Zinc & Yellow and 304 Stainless Steel.

Studding Size	Material Thickness	Finish	Dim A	Dim B	Dim C	Dim D	Box Qty	Outer Qty	Prod. Code
M10	1.5mm	Zinc Plated	46.5	21	37.5	5.0	40	400	BSS1019Z
M10	1.5mm	Yellow Pass.	46.5	21	37.5	5.0	40	400	BSS1028Y
M10	1.5mm	304 Stainless	46.5	21	37.5	5.0	40	400	BSS3009SS

Works with most basket manufacturer range.

Minimum quantity supplied is one box.

Tel : 0044 (0)1782 822602

Fax :0044 (0)1782 825856

website : www.haleyproducts.co.uk

Navigation Road, Burslem, Stoke on Trent, Staffs, ST6 3RU

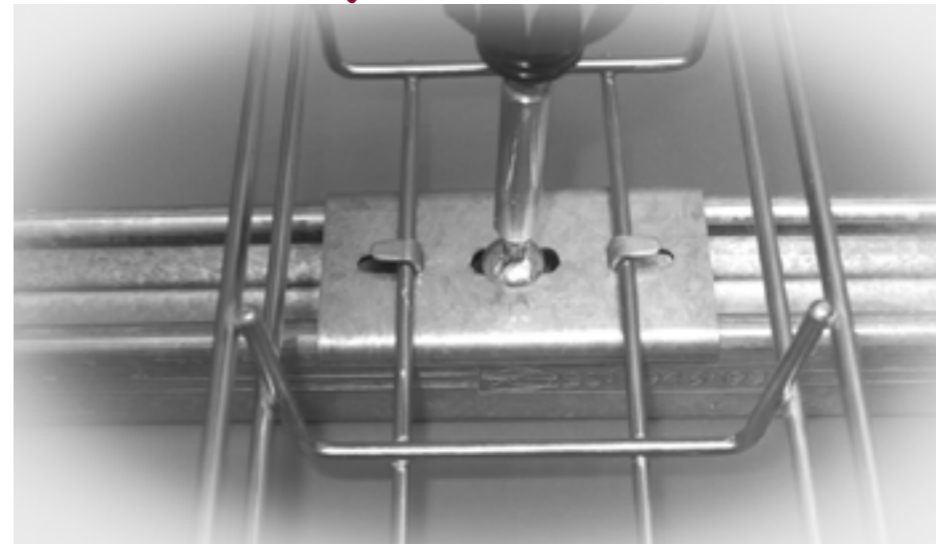
Strut Twist-in Support Brackets



Features

- Adapts all standard Haley® brackets to accept cable basket.
- Twists into basket for simpler hands free installation.
- Fixing slot is M6 clearance.
- Fixing slot : 6.5 x 20mm.
- Also comes as an assembly for faster installation times. i.e. a cordless drill and magnetic screwdriver can be used

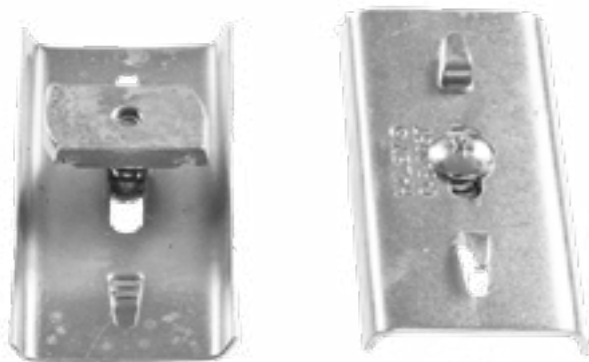
Installation using a cordless drill



- A cordless drill can be used, however it is important to use a low torque setting.



Strut Twist-in Bracket(clip), Assembled

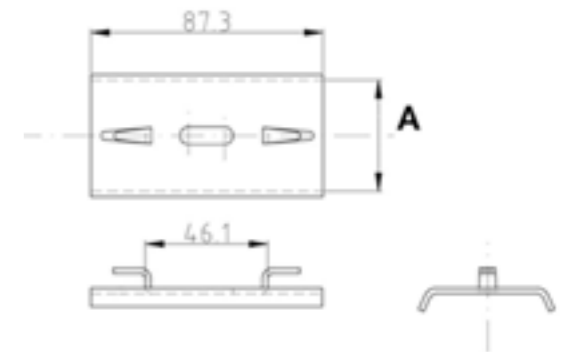


Comes assembled with Clip CAB2037, M6 tray bolt, M6 plain channel nut and spring. Spring holds the nut clear to allow easier fixing using a No.2 pozi screw driver or a cordless drill arrangement can be used.

Strut Twist-in Bracket(clip), Loose



Strut Twist-in Clip, clip only.
Haley Strut Twist-in Clips are also supplied separately.



Will Fit	Material Thickness	Finish	Dim A	Box Qty	Outer Qty	Prod. Code
41mm wide framing channel (strut)	1.6mm	Pre-Galv	44mm	25	250	CAB2037
41mm wide assembly	1.6mm	Pre-Galv	44mm	20	200	CAB2037ASS

Minimum quantity supplied is one box.

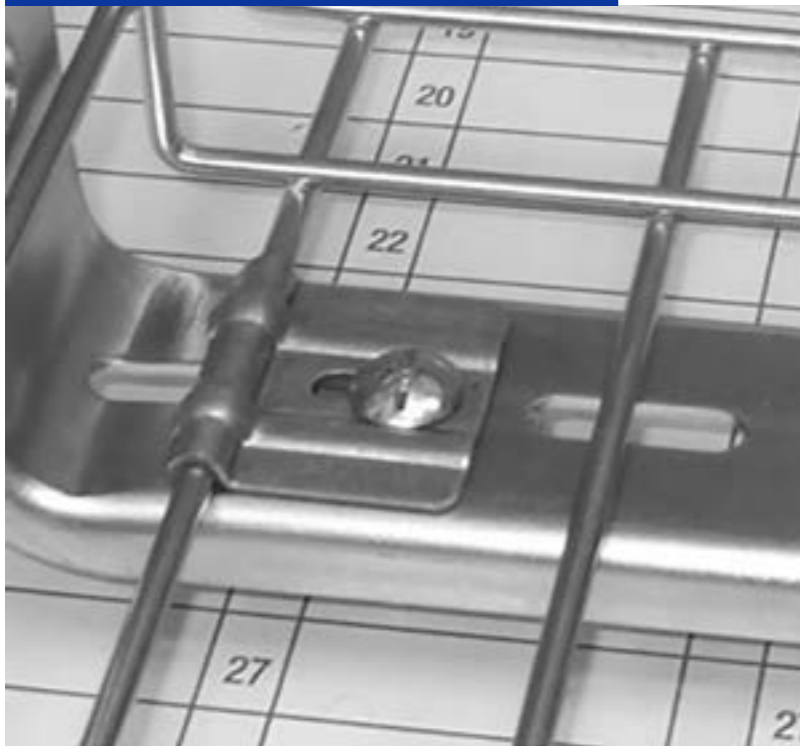
Tel : 0044 (0)1782 822602

Fax :0044 (0)1782 825856

website : www.haleyproducts.co.uk

Navigation Road, Burslem, Stoke on Trent, Staffs, ST6 3RU

Cable Basket Adaptor Clip



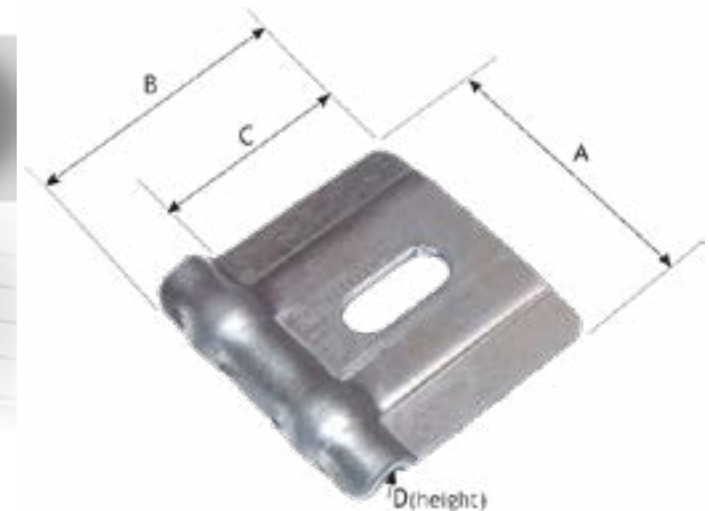
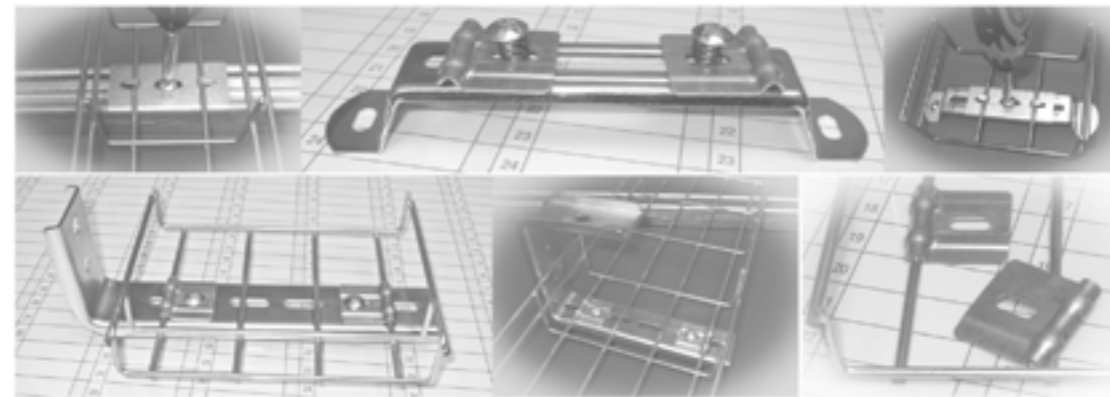
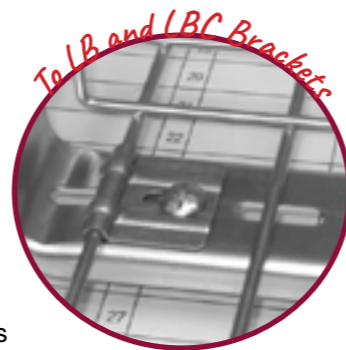
Features

- Adapts all standard Haley® to accept cable basket.
- Clamps down to 4.0mm Ø wire.
- Fixing slot is M6 clearance.
- Fixing slot : 6.5 x 15mm.
- Ideal for wider basket where the wire fixings can be spread across the bracket.

Some typical applications



To Stand-off Brackets



Will work in conjunction	Material Thickness	Finish	Dim A	Dim B	Dim C	Dim D	Box Qty	Outer Qty	Prod. Code
All Haley® brackets	1.6mm	Pre-Galv	38	38	28	4.0	100	1000	CAB1001
All Haley® brackets	1.6mm	Stainless Steel	38	38	28	4.0	100	1000	CAB1015SS

Minimum quantity supplied is one box.

Tel : 0044 (0)1782 822602

Fax :0044 (0)1782 825856

website : www.haleyproducts.co.uk

Navigation Road, Burslem, Stoke on Trent, Staffs, ST6 3RU

Framing Channel Internal Connectors



Features

- Can work with plain or slotted Strut.
- Easy2fix thus no more losing small screws.
- Ready assembled with fixing screws and nuts in place i.e. no loose parts.
- Raised slots and spring loaded screws hold nuts in place.
- Faster installation time.
- 2 sizes available for deep and shallow strut.

How it works



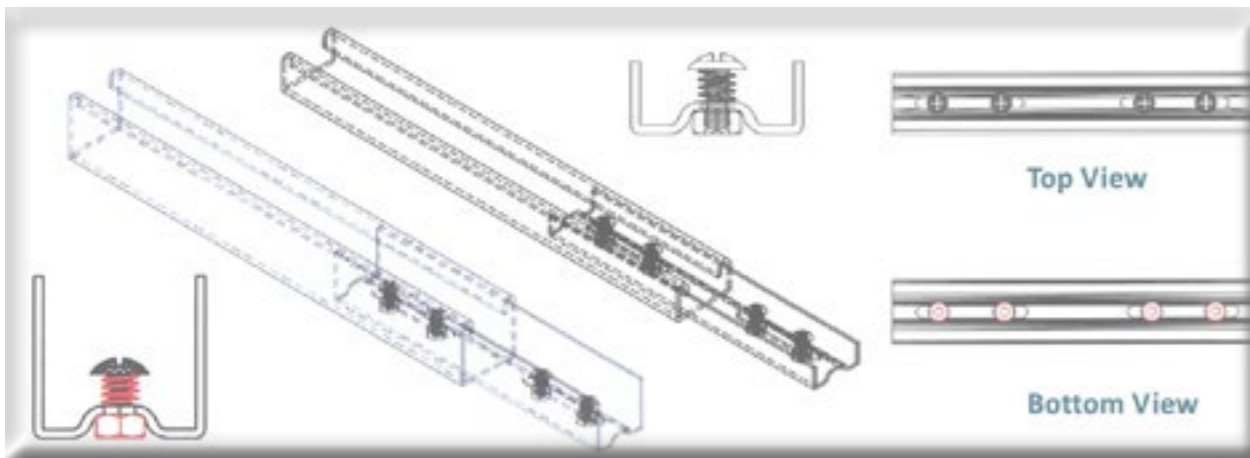
1) Slide the connector inside one of the lengths of strut to half the connectors length.



2) Tighten the two fixing screws until the connector is secure.



3) Repeat step 1 on the other piece of channel.



How it works



Adjust screws along slots as requires.



Insert connector into one end of strut.



Tighten fixing screws using a No.2 pozi screw driver.



Insert connector into end of the second piece strut.



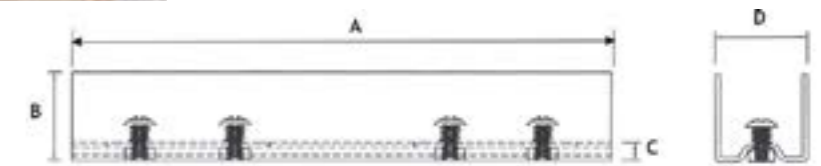
Tighten second fixing screws using a No.2 pozi screw driver.



Or, tighten any fixing screws using a No.2 pump screw driver.



Or, tighten any fixing screws using a No.2 pozi screw driver bit and battery drill.



Works with	Material Thickness	Finish	Dim A	Dim B	Dim C	Dim D	Box Qty	Outer Qty	Prod. Code
41 x 41mm Framing Channel	2.0mm	Pre-Galv	200	32.5	6.5	34	10	50	HU670
41 x 21mm Framing Channel	2.0mm	Pre-Galv	200	14.5	6.5	34	10	60	HU675

Minimum quantity supplied is one box.

Tel : 0044 (0)1782 822602

Fax :0044 (0)1782 825856

website : www.haleyproducts.co.uk

Navigation Road, Burslem, Stoke on Trent, Staffs, ST6 3RU

Internal Column Strut Clamps



Features

- Ready assembled with screws and bolts in place i.e. no loose parts.
- Screws only need small turns to make one complete assembly.
- Easy2fix giving faster installation time and saves money.
- No loose parts to get lost once the unit has been assembled.
- The unit is assembled before being fitted between the column webs.

How it works



The whole unit is pre-assembled before fitting inside flanges.

M10 set screws are used and two 5mm hexagon wrenches are supplied with each box of 10 sets.

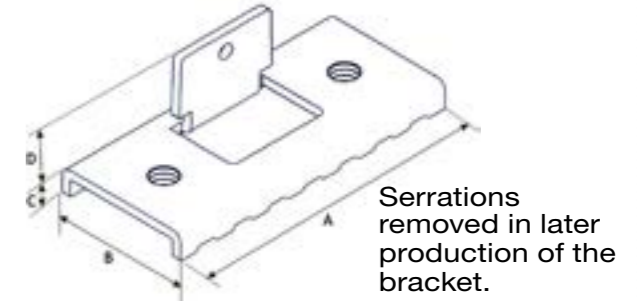
Slide the clamp into one end of a length of pre-cut strut. This may need a few taps with a hammer. Tighten down screw.

Repeat the process for the other end.

Slide the assembled unit between the UC flanges.

Tightened down the two M10 set screws to secure the unit.

A 5mm hexagon wrench is required for this. Tray or basket can now be fixed to the strut.



Works with	Material Thickness	Finish	Dim A	Dim B	Dim C	Dim D	Box Qty	Prod. Code
41 x 41mm Framing Channel	2.5mm	Zinc Plated	98	45	8.0	22	10 sets	HU308J
Minimum quantity supplied is one box.								

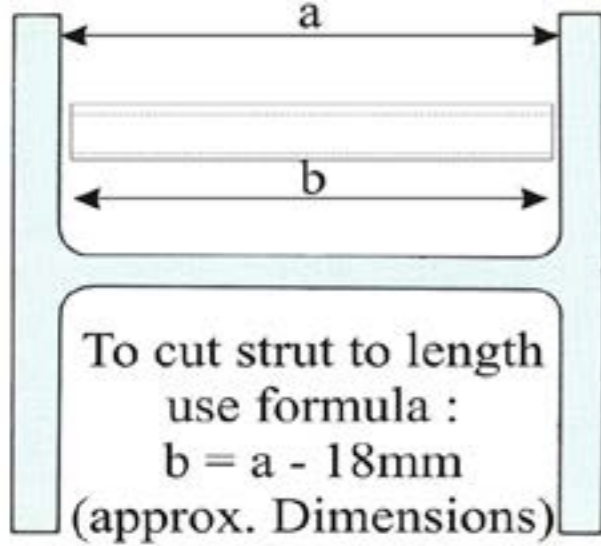
Tel : 0044 (0)1782 822602

Fax :0044 (0)1782 825856

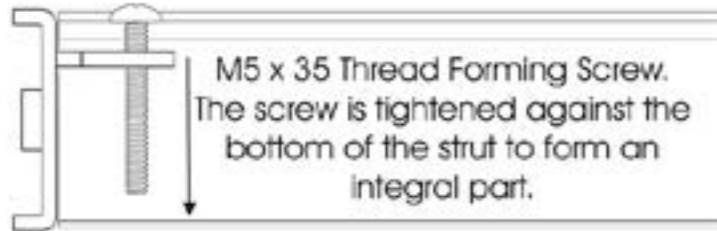
website : www.haleyproducts.co.uk

Navigation Road, Burslem, Stoke on Trent, Staffs, ST6 3RU

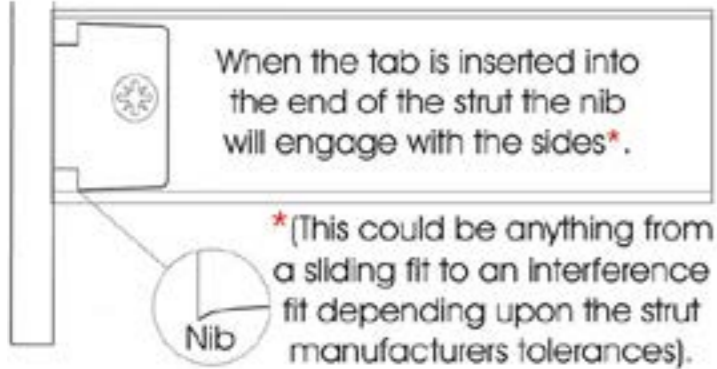
Some practical points



Strut is cut to length using the formula.
The assembled unit should be a nice sliding fit inside the column flanges.
The clamp is designed to work with (UC) columns with parallel internal faces.



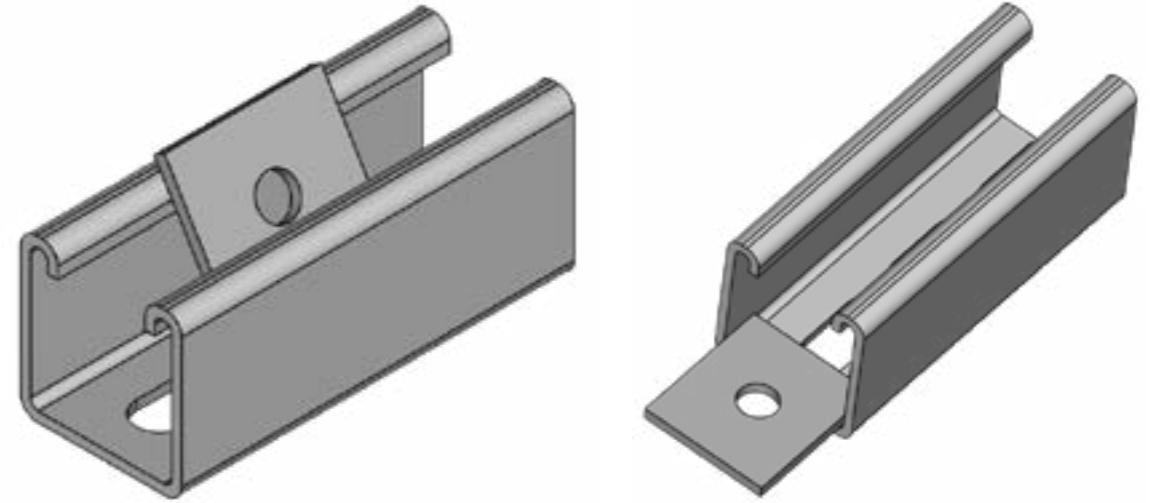
M5x35 thread forming screw is already inserted to the right depth and should just need a few turns to secure the clamp to the strut.



The little nibs on the tab are designed to aid the pre-assembly process.

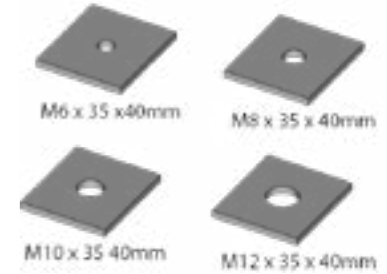
When the tab is inserted into the end of the strut the nib will engage with the sides*.
*(This could be anything from a sliding fit to an interference fit depending upon the strut manufacturers tolerances).

Back Plate Washers for Strut



Application

- The Backplate Washer is located against the back of the strut and is used to spread the load of any fixing device.



Size	Dimensions	Application	Finish	Box Qty	Prod. Code
M6 Clearance	37 x 34 x 3mm	Spreads load at back of Strut	Pre-Galv.	50	BPM06PG
M8 Clearance	37 x 34 x 3mm	Spreads load at back of Strut	Pre-Galv.	50	BGM08PG
M10 Clearance	37 x 34 x 3mm	Spreads load at back of Strut	Pre-Galv.	50	BGM10PG
M12 Clearance	37 x 34 x 3mm	Spreads load at back of Strut	Pre-Galv.	50	BPM12PG

Minimum quantity supplied is one box.